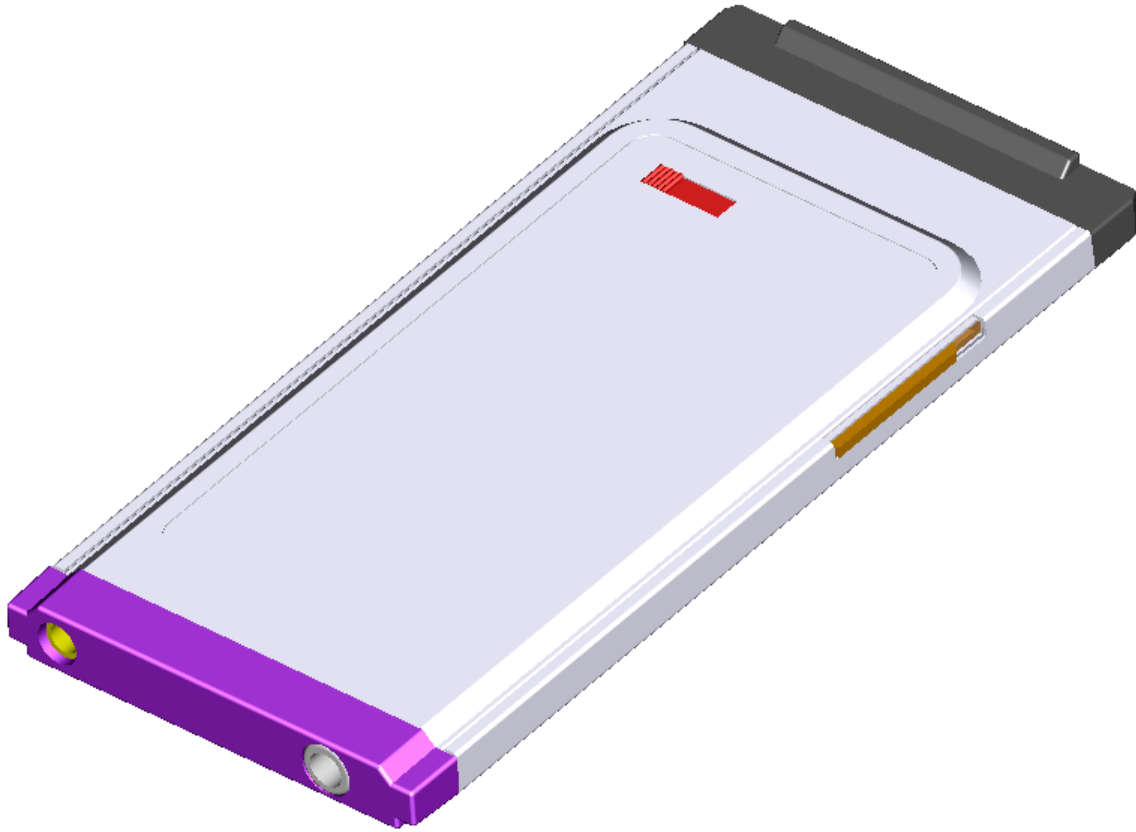




Approval Sheet



Customer :

Description : Express Card Into CDMA

Project No. :

Customer No. :

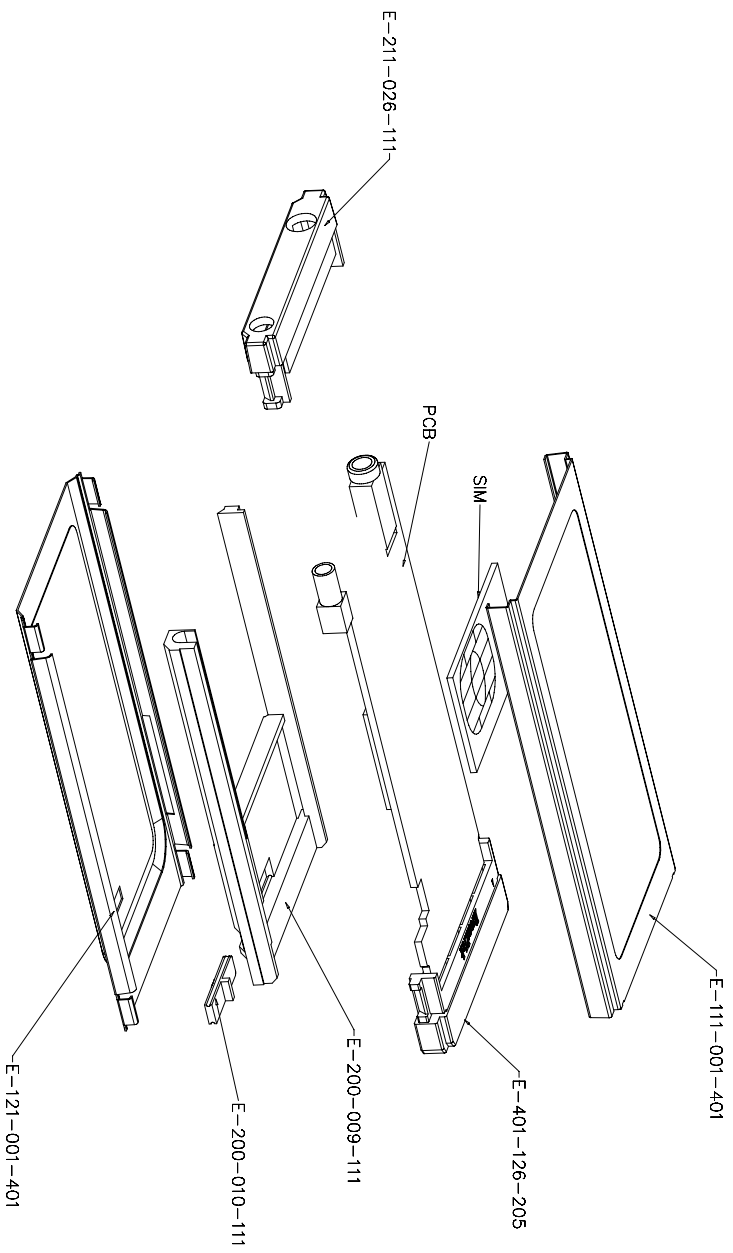
BroadTek No. : E-211-026-111

Date. : 2007,3,30

BroadTek Technology Co., Ltd.

Tel :886-2-29642625 Fax: 886-2-29642601

4F.,No.15,Lane 163,Sinyi Rd .,Banciao City,Taipei County 220,Taiwan

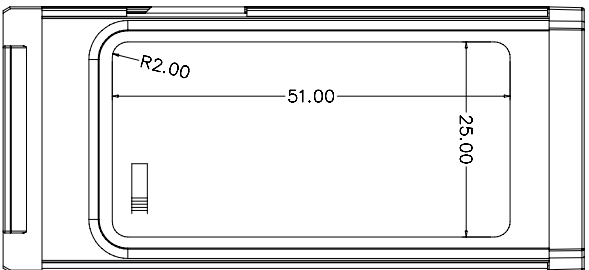
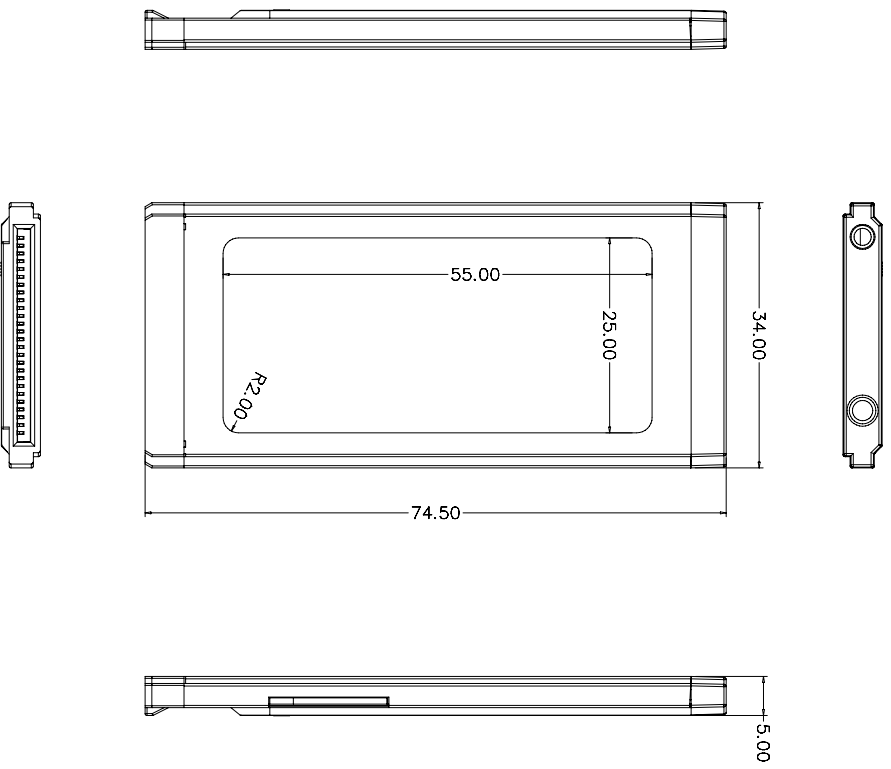


— Tolerances —		Unless Otherwise Specified	
.0	±0.15		
.00	±0.10		
.000	±0.05		
ANGLES	±1°		

Bradtek

Approved: _____
 Checked: _____
 Engineer: _____
 Drawn: _____

Title : Exploding view for component			
Drawing NO.	Part NO.		
E-211-026-111-EXP			
Unit:	Scale:	Size	Rev. Sheet
mm	1:1	A4	01



— Tolerances — Unless Otherwise Specified		Title : Assembly	
.0	±0.15	Drawing NO. E-211-026-111-ALL	Part NO.
.00	±0.10	Unit: mm	Scale: 1:1
.000	±0.05	Engineer:	Drawn:
ANGLES	±1°	Checked:	Size A4
			Rev. Sheet 01