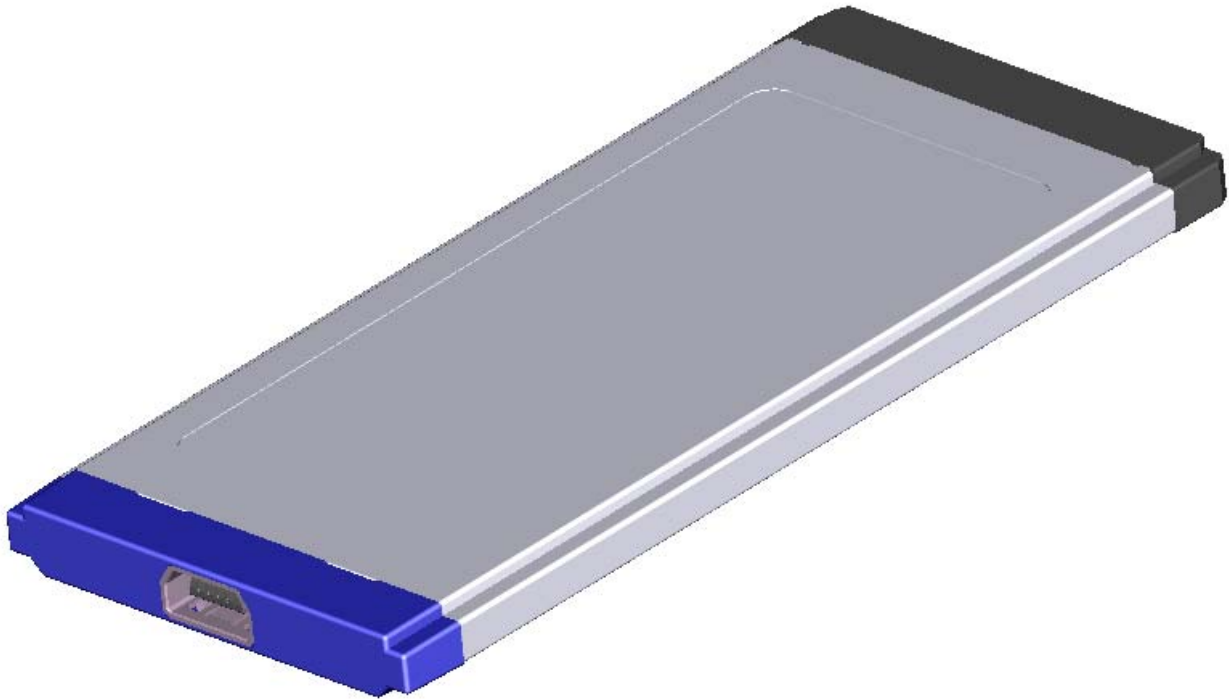




## *Approval Sheet*



Customer : \_\_\_\_\_

Description : Express Card Into Mini USB  
\_\_\_\_\_

Project No. : \_\_\_\_\_

Customer No. : \_\_\_\_\_

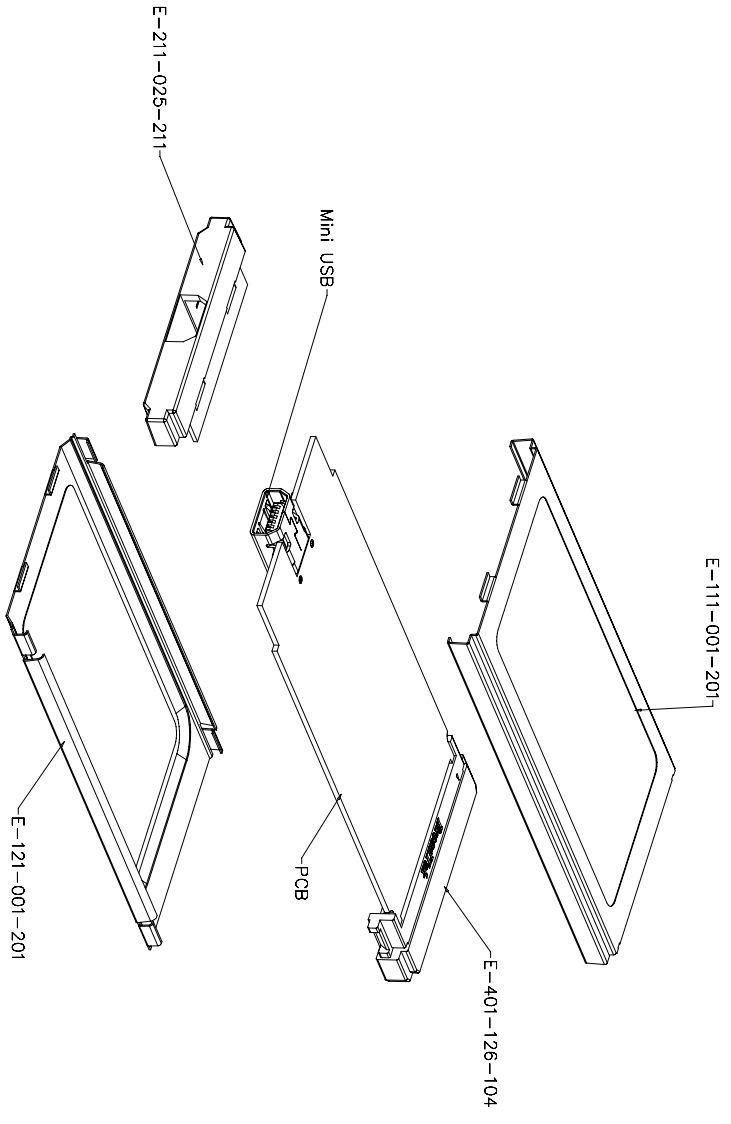
BroadTek No. : E-211-025-211  
\_\_\_\_\_

Date. : 2007,5,30  
\_\_\_\_\_

***BroadTek Technology Co., Ltd.***

Tel :886-2-29642625 Fax: 886-2-29642601

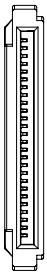
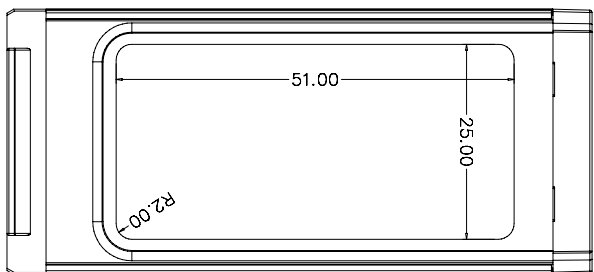
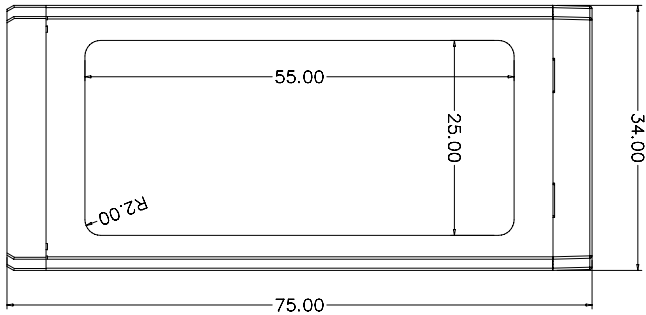
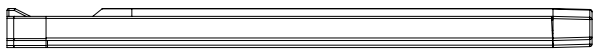
4F.,No.15,Lane 163,Sinyi Rd .,Banciao City,Taipei County 220,Taiwan



— Tolerances —		Unless Otherwise Specified	
.0	±0.15	.00	±0.10
.000	±0.05		
ANGLES		±1°	

		Approved:	Checked:
		Engineer:	Drawn:

Title : Exploding view for component			
Drawing NO. E-211-025-211-EXP		Part NO.	
Unit: mm	Scale: 1:1	Size: A4	Rev. Sheet: 01



— Tolerances —  
Unless Otherwise Specified

.0	±0.15
.00	±0.10
.000	±0.05
ANGLES	±1°



Approved: \_\_\_\_\_  
Checked: \_\_\_\_\_

Engineer: \_\_\_\_\_  
Drawn: \_\_\_\_\_

Title : Assembly

Drawing NO. E-211-025-211-ALL Part NO.

Unit: mm	Scale: 1:1	Size: A4	Rev: 01
----------	------------	----------	---------