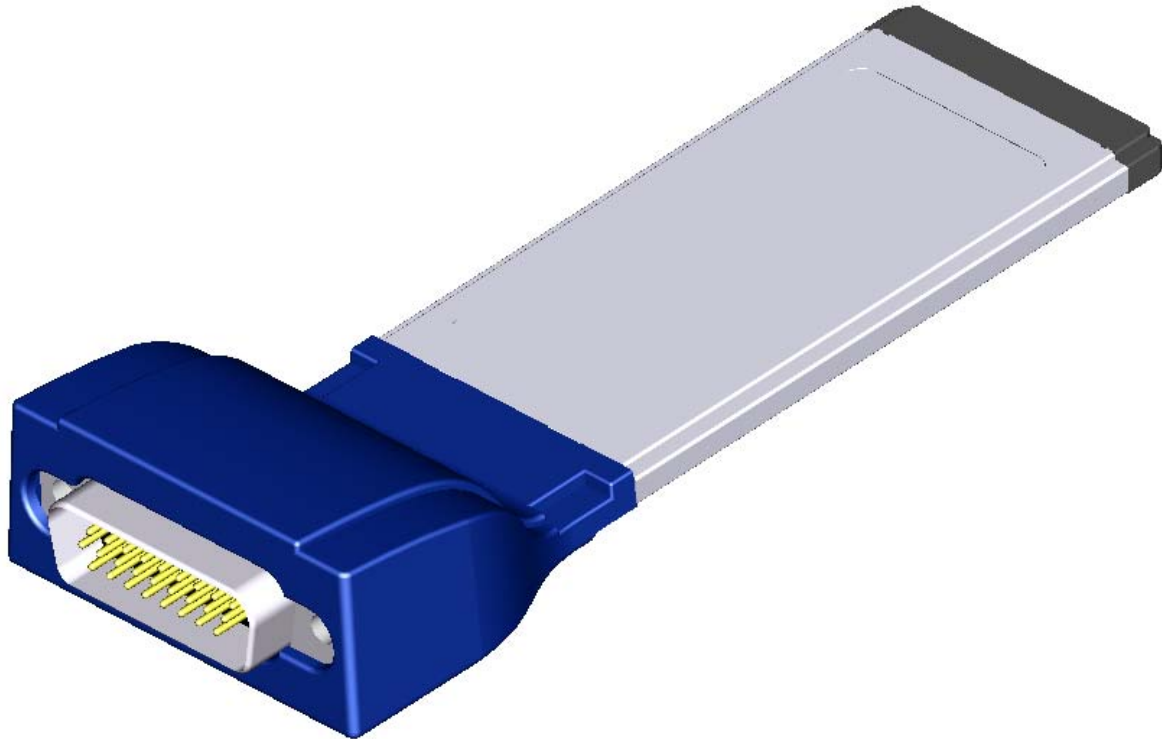




## *Approval Sheet*



Customer : \_\_\_\_\_

Description : Express Card Into DB26  
\_\_\_\_\_

Project No. : \_\_\_\_\_

Customer No. : \_\_\_\_\_

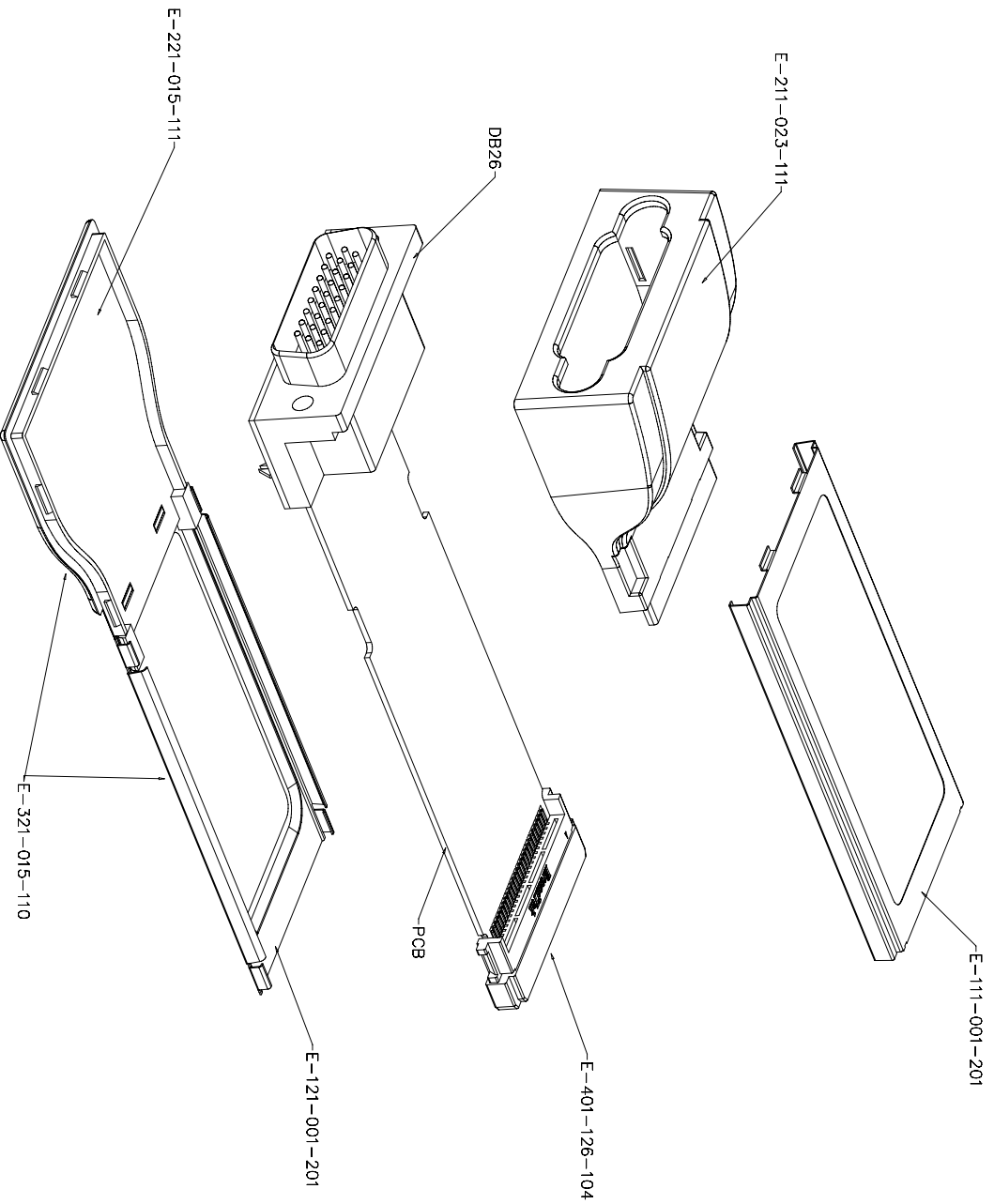
BroadTek No. : E-211-023-111  
\_\_\_\_\_

Date. : 2007,5,30  
\_\_\_\_\_

**BroadTek Technology Co., Ltd.**

Tel :886-2-29642625 Fax: 886-2-29642601

4F.,No.15,Lane 163,Sinyi Rd .,Banciao City,Taipei County 220,Taiwan



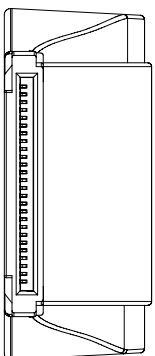
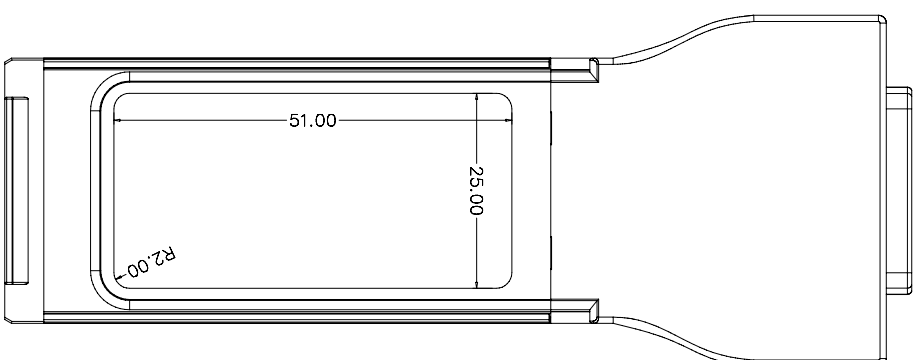
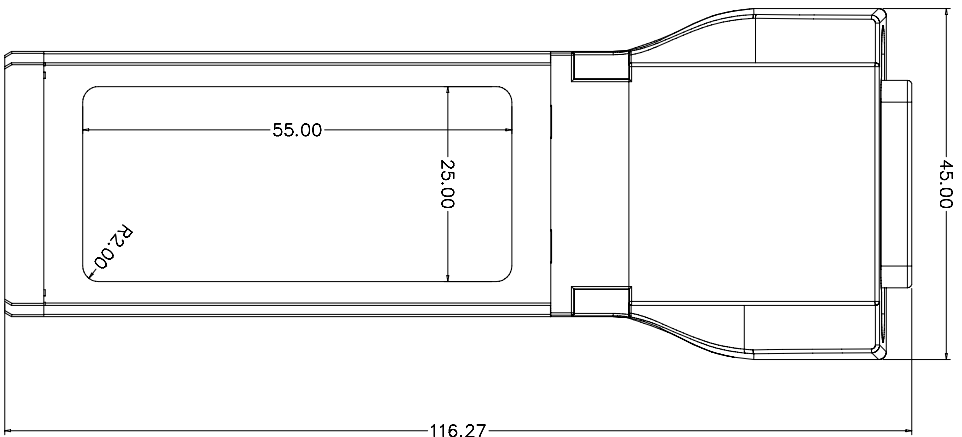
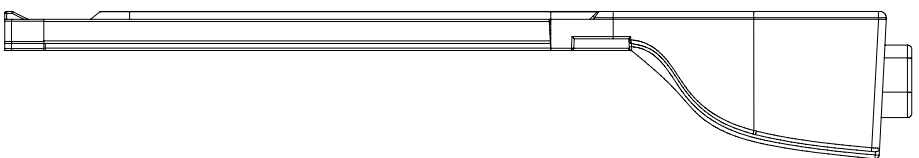
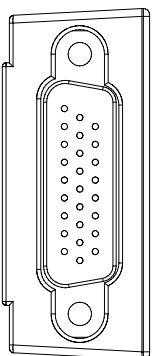
— Tolerances —		—	
Unless Otherwise Specified			
.0	±0.15		
.00	±0.10		
.000	±0.05		
ANGLES	±1°		



Approved: \_\_\_\_\_  
 Checked: \_\_\_\_\_  
 Engineer: \_\_\_\_\_  
 Drawn: \_\_\_\_\_

Title : Exploding view for component

Drawing NO. E-211-023-111-EXP		Part NO.	
Unit: mm	Scale: 1:1	Size A4	Rev. Sheet 01



— Tolerances —  
Unless Otherwise Specified

.0	±0.15
.00	±0.10
.000	±0.05
ANGLES	±1°



Approved:

Checked:

Engineer:

Drawn:

Title : Assembly

Drawing NO.

Part NO.

E-211-023-111-ALL

Unit: mm

Scale: 1:1



Size Rev. Sheet  
A4 01