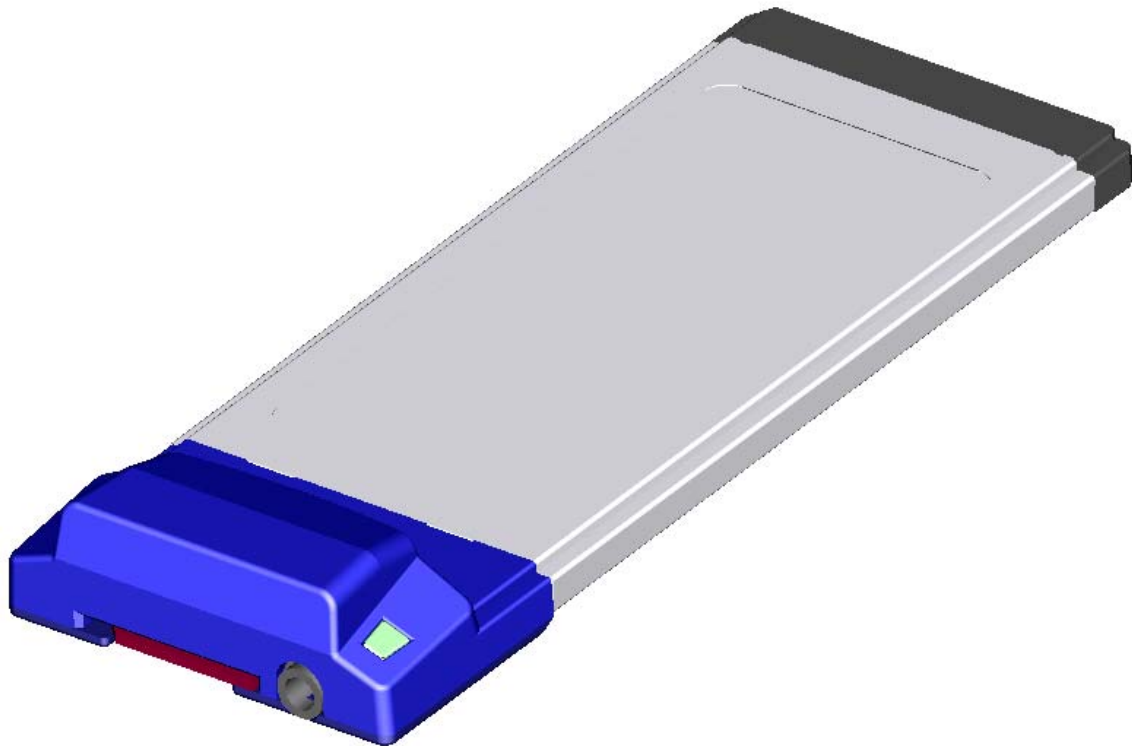




## *Approval Sheet*



Customer : \_\_\_\_\_

Description : Express Card Into CDMA  
\_\_\_\_\_

Project No. : \_\_\_\_\_

Customer No. : \_\_\_\_\_

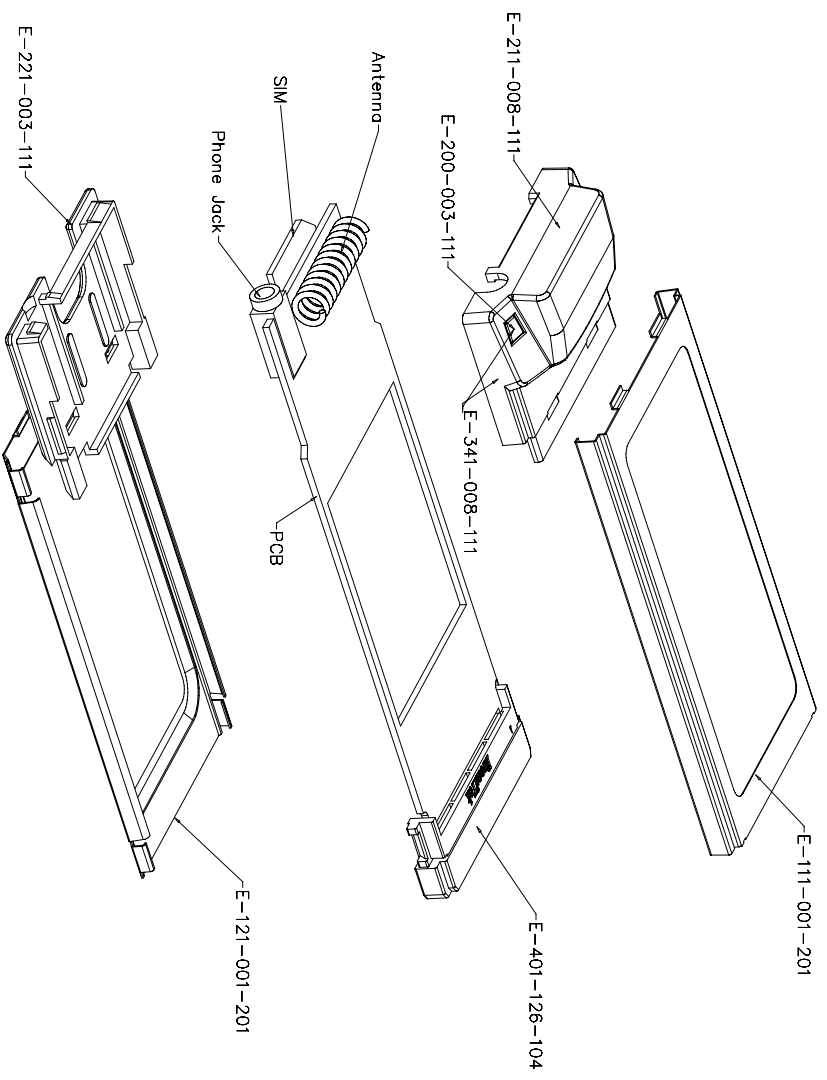
BroadTek No. : E-211-008-111  
\_\_\_\_\_

Date. : 2006,10,30  
\_\_\_\_\_

**BroadTek Technology Co., Ltd.**

Tel :886-2-29642625 Fax: 886-2-29642601

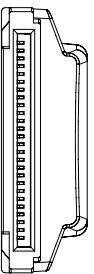
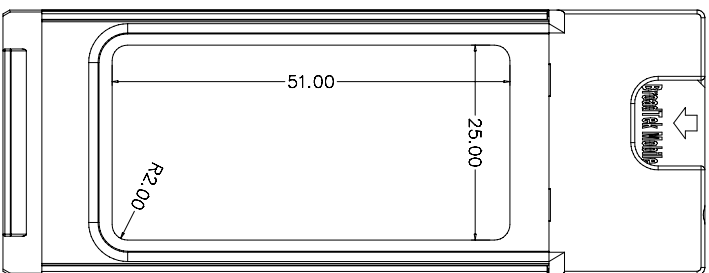
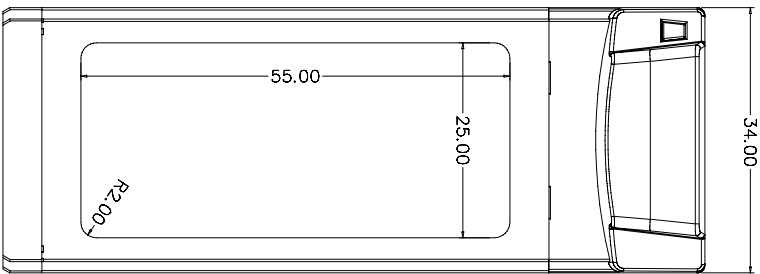
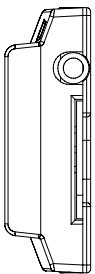
4F.,No.15,Lane 163,Sinyi Rd .,Banciao City,Taipei County 220,Taiwan



— Tolerances —	
Unless Otherwise Specified	
.0	±0.15
.00	±0.10
.000	±0.05
ANGLES	±1°

		Approved:	Checked:
Engineer:	Drawn:		

Title : Exploding view for component			
Drawing NO. E-211-008-111-EXP		Part NO.	
Unit: mm	Scale: 1:1	Size: A4	Rev. Sheet: 01



— Tolerances —  
Unless Otherwise Specified

.0	±0.15
.00	±0.10
.000	±0.05
ANGLES	±1°



Approved:	Checked:
Engineer:	Drawn:

Title : Assembly

Drawing NO.	Part NO.			
E-211-008-111-ALL				
Unit:	Scale:	Size	Rev.	Sheet
mm	1:1	A4	01	