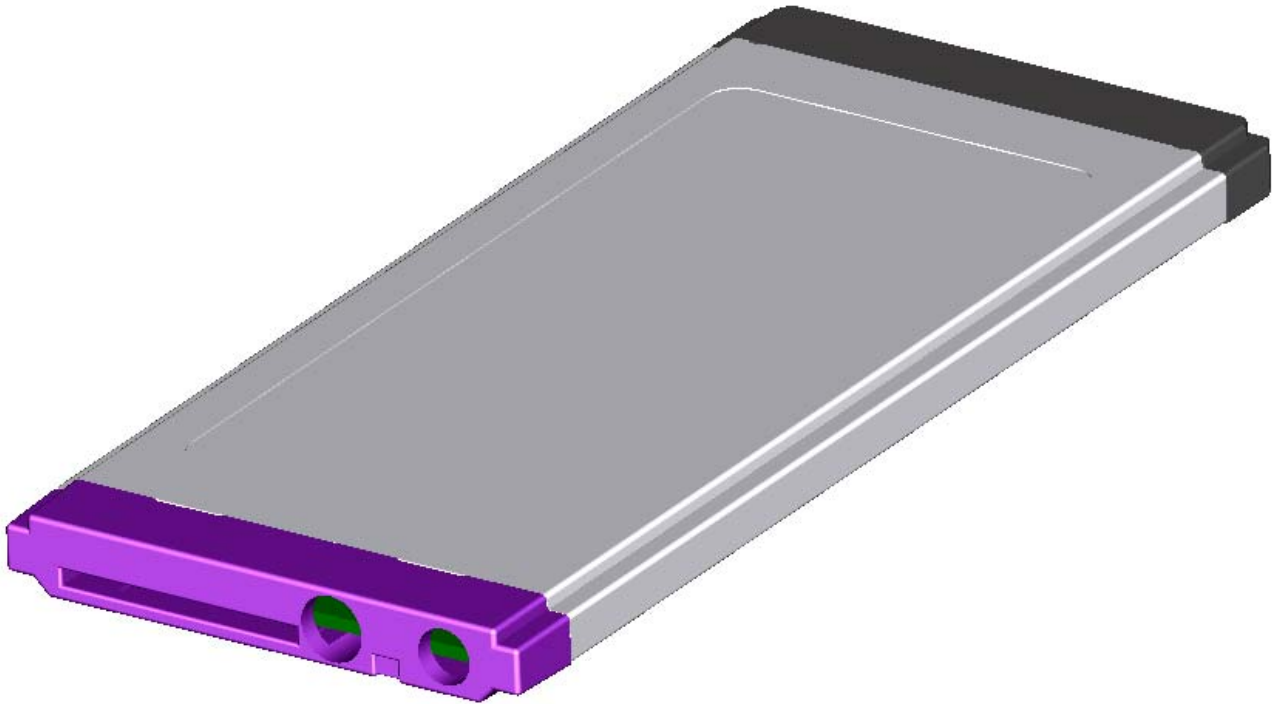




## *Approval Sheet*



Customer : \_\_\_\_\_

Description : Express Card Into CDMA  
\_\_\_\_\_

Project No. : \_\_\_\_\_

Customer No. : \_\_\_\_\_

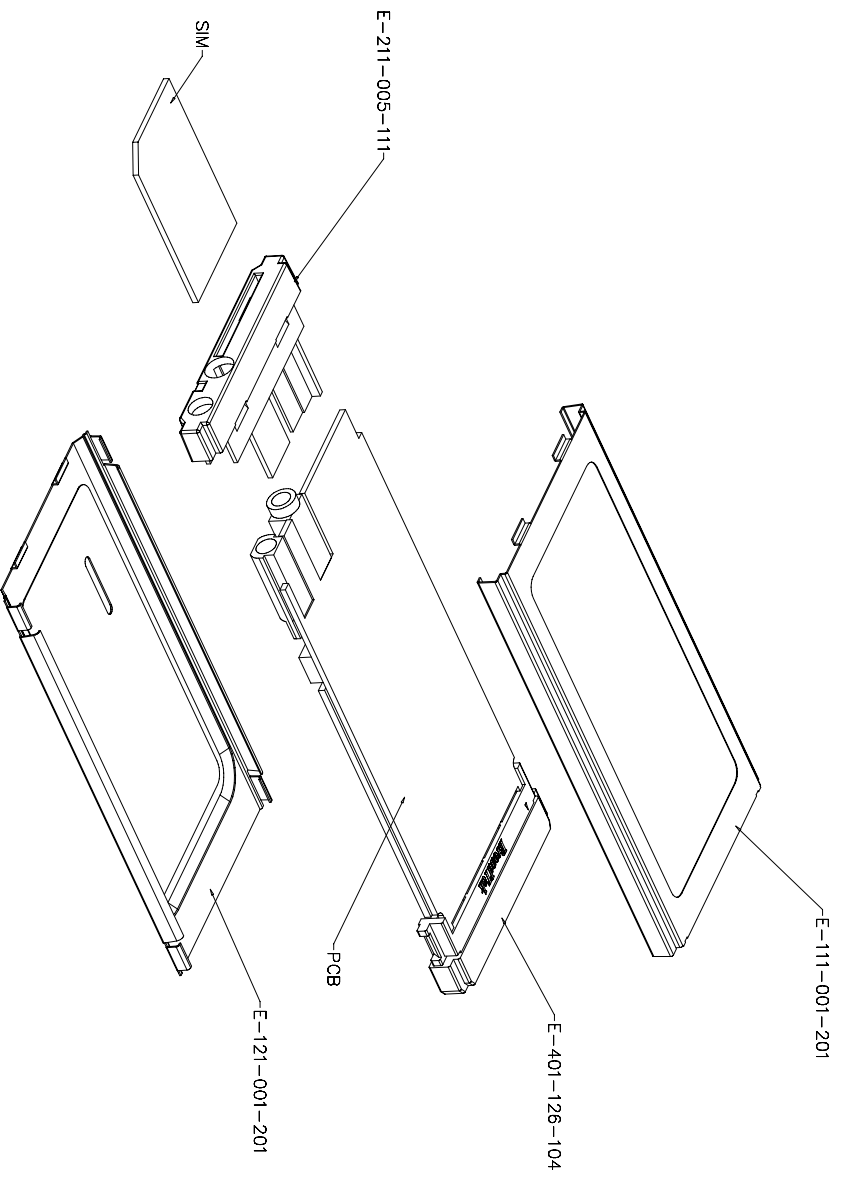
BroadTek No. : E-211-005-111  
\_\_\_\_\_

Date. : 2006,8,30  
\_\_\_\_\_

***BroadTek Technology Co., Ltd.***

Tel :886-2-29642625 Fax: 886-2-29642601

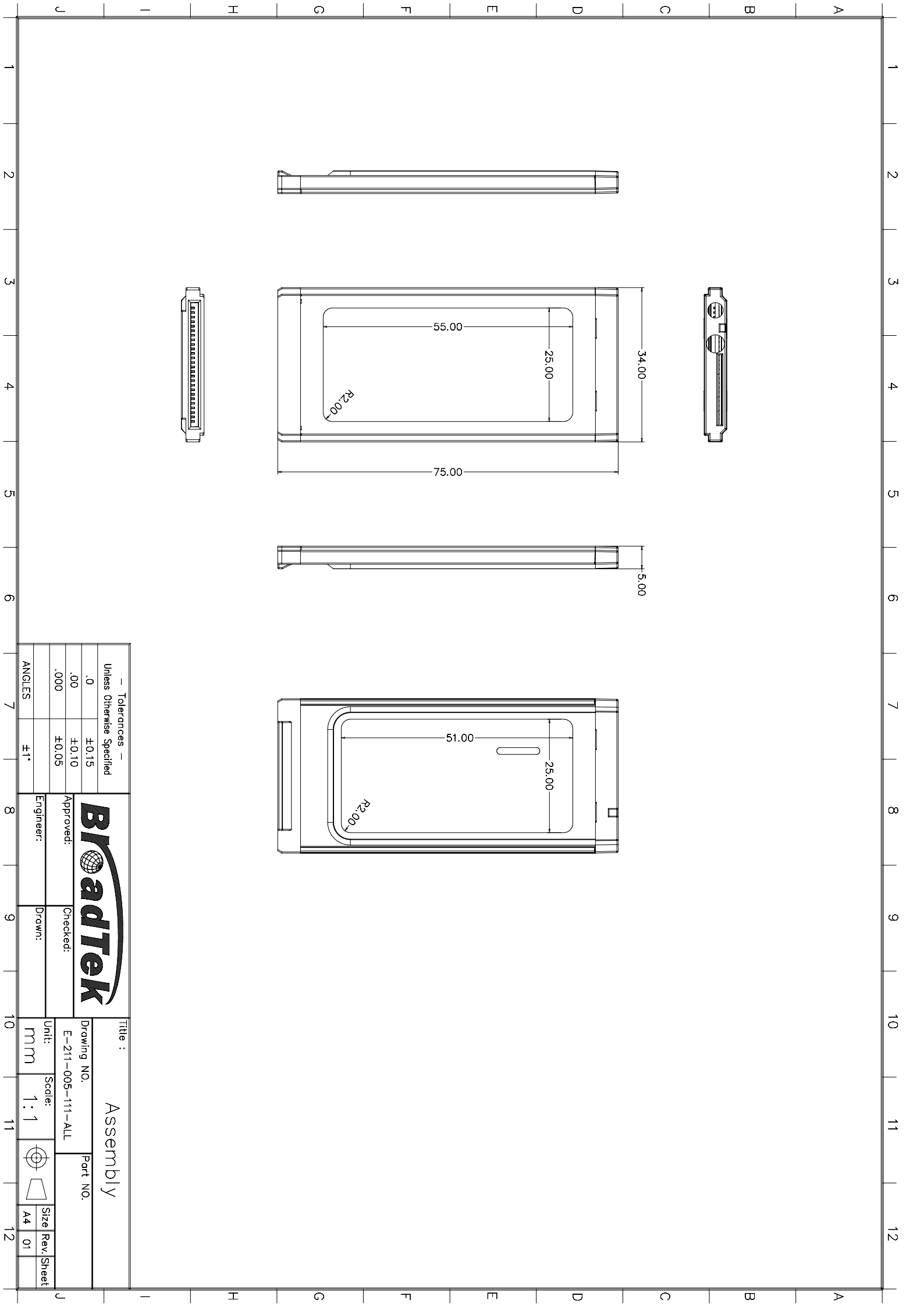
4F.,No.15,Lane 163,Sinyi Rd .,Banciao City,Taipei County 220,Taiwan



— Tolerances —	
Unless Otherwise Specified	
.0	±0.15
.00	±0.10
.000	±0.05
ANGLES	±1°

<b>Bradtek</b>	
Approved:	Checked:
Engineer:	Drawn:

Title : Exploding view for component	
Drawing NO. E-211-005-111-EXP	Part NO.
Unit: mm	Scale: 1:1
Size: A4	Rev. Sheet: 01



— Tolerances — Unless Otherwise Specified	
.0	±0.15
.00	±0.10
.000	±0.05
ANGLES	±1°



Title : Assembly	
Approved:	Checked:
Engineer:	Drawn:
Drawing NO. E-211-005-111-ALL	Part NO.
Unit: mm	Scale: 1:1
Size A4	Rev. Sheet 01