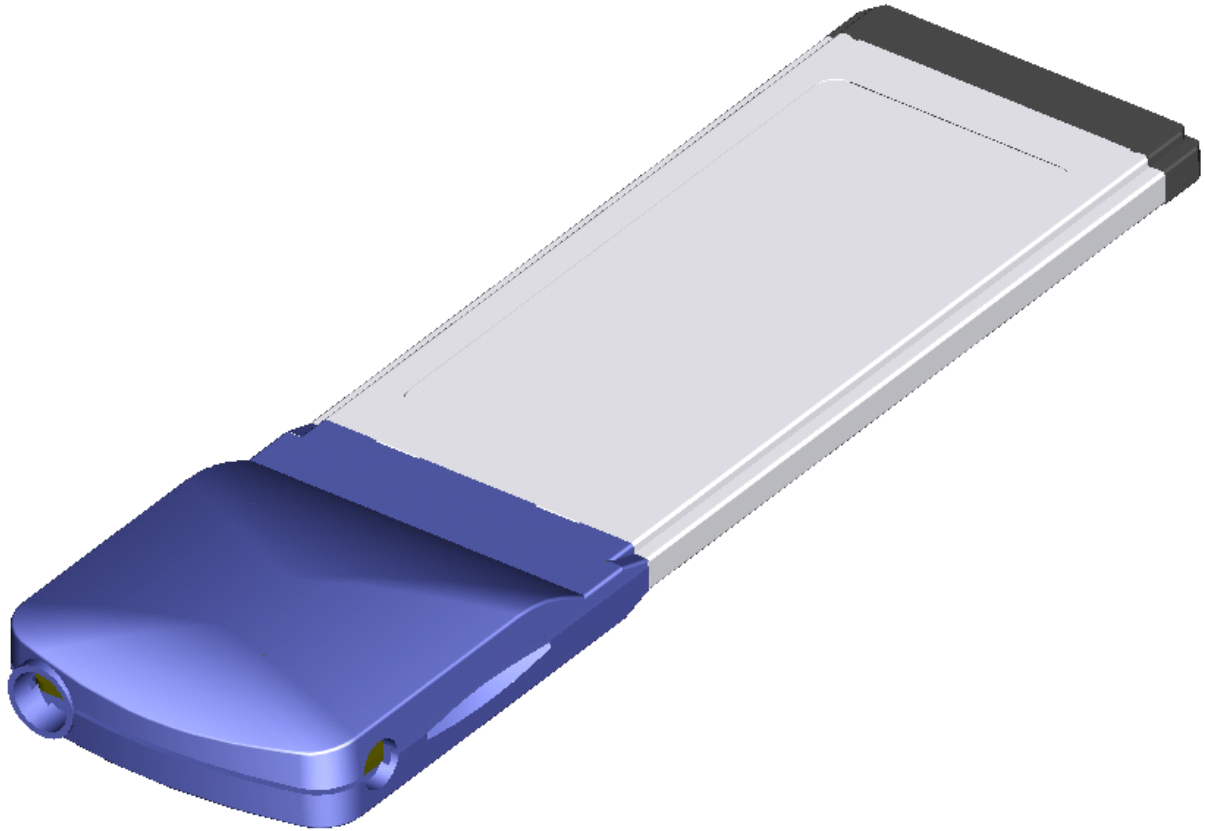




## *Approval Sheet*



Customer : \_\_\_\_\_

Description : Express Card Into CDMA

Project No. : \_\_\_\_\_

Customer No. : \_\_\_\_\_

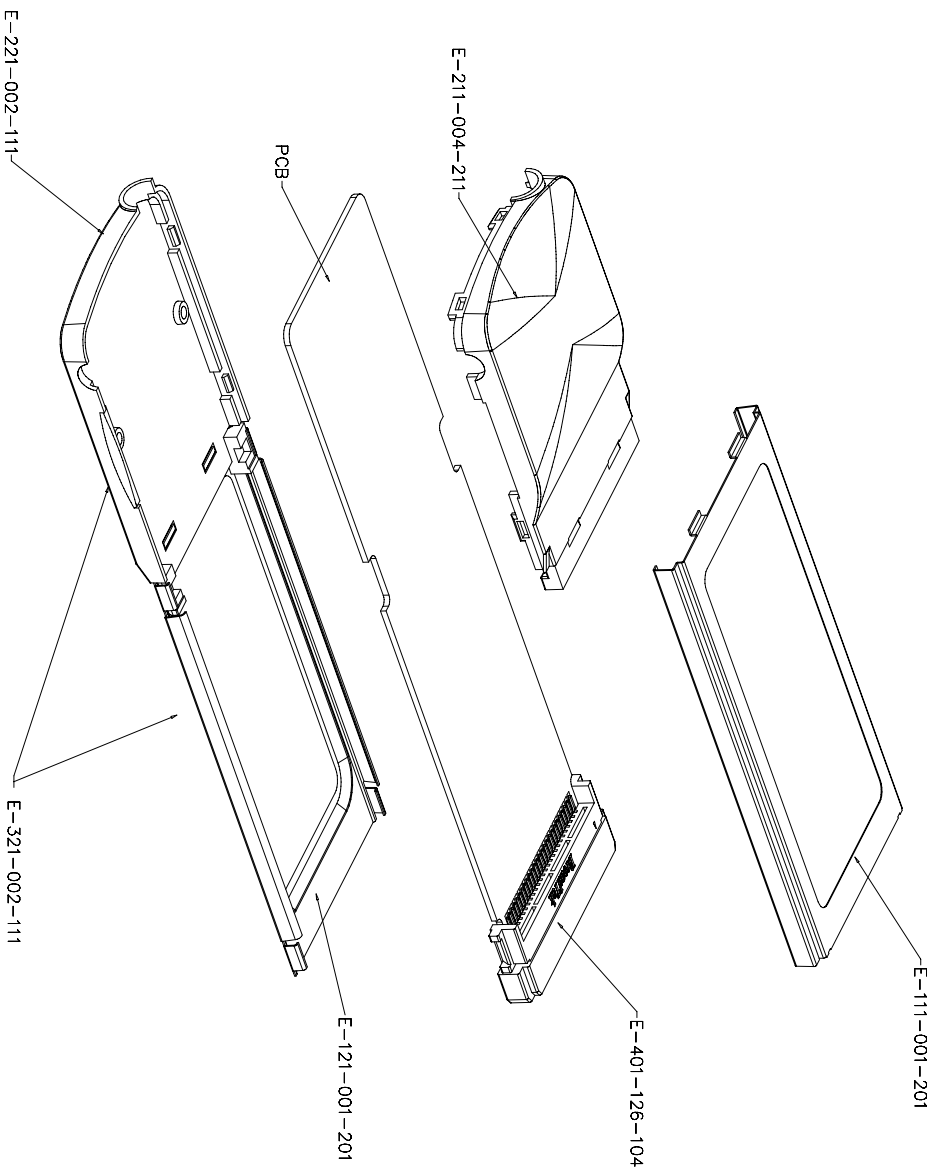
BroadTek No. : E-211-004-211

Date. : 2006,7,30

**BroadTek Technology Co., Ltd.**

Tel :886-2-29642625 Fax: 886-2-29642601

4F.,No.15,Lane 163,Sinyi Rd .,Banciao City,Taipei County 220,Taiwan



— Tolerances —  
Unless Otherwise Specified

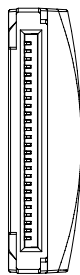
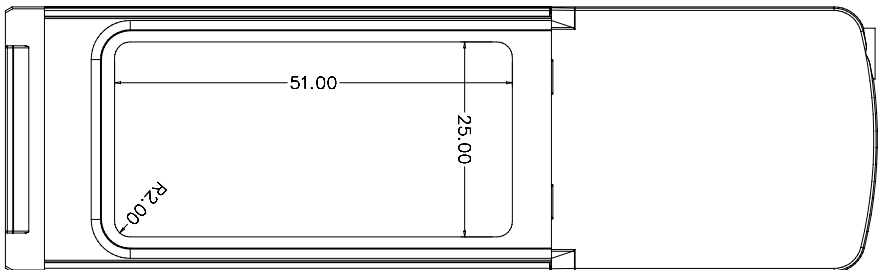
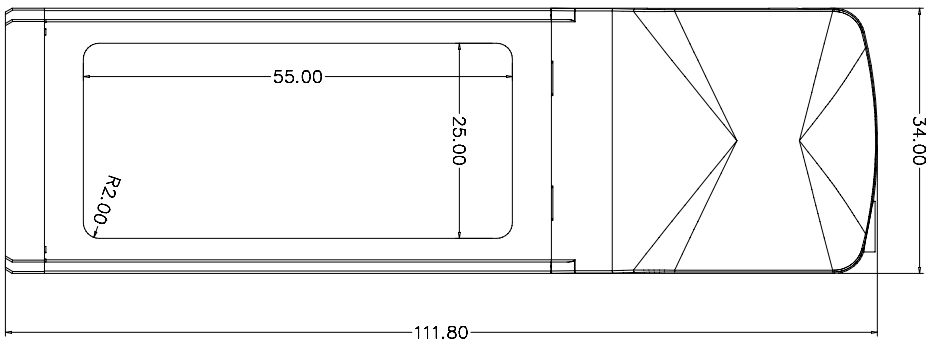
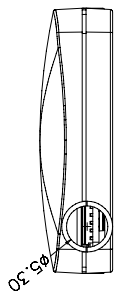
.0	±0.15
.00	±0.10
.000	±0.05
ANGLES	±1°



Approved: \_\_\_\_\_  
Checked: \_\_\_\_\_  
Engineer: \_\_\_\_\_  
Drawn: \_\_\_\_\_

Title : Exploding view for component

Drawing NO. E-211-004-211-EXP Part NO. \_\_\_\_\_  
Unit: mm Scale: 1:1 Size Rev. Sheet  
A4 01



— Tolerances —  
Unless Otherwise Specified

.0	±0.15
.00	±0.10
.000	±0.05

ANGLES ±1°



Title : Assembly

Approved:

Drawing NO.  
E-211-004-211-ALL

Part NO.

Engineer:

Drawn:

Unit:  
mm

Scale:  
1:1



Size Rev. Sheet  
A4 01