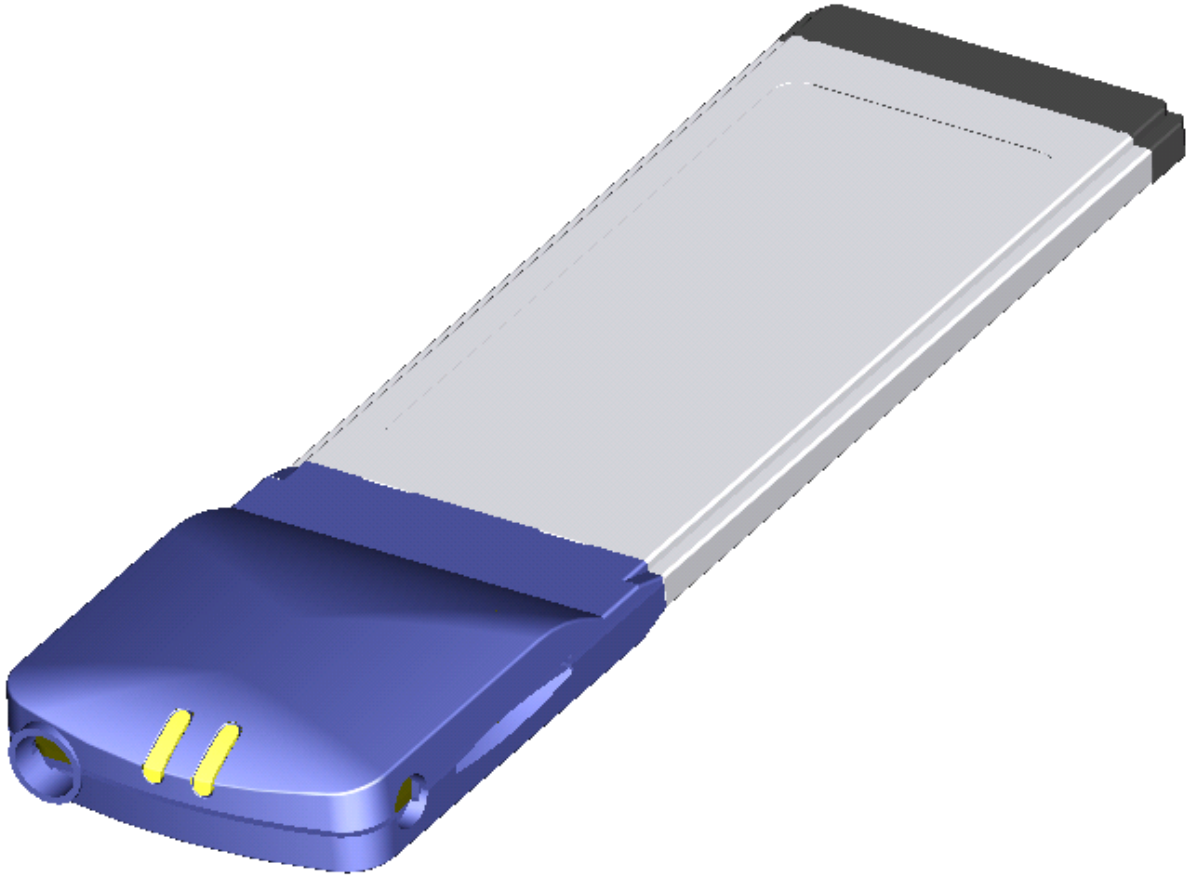




Approval Sheet



Customer : _____

Description : Express Card Into CDMA

Project No. : _____

Customer No. : _____

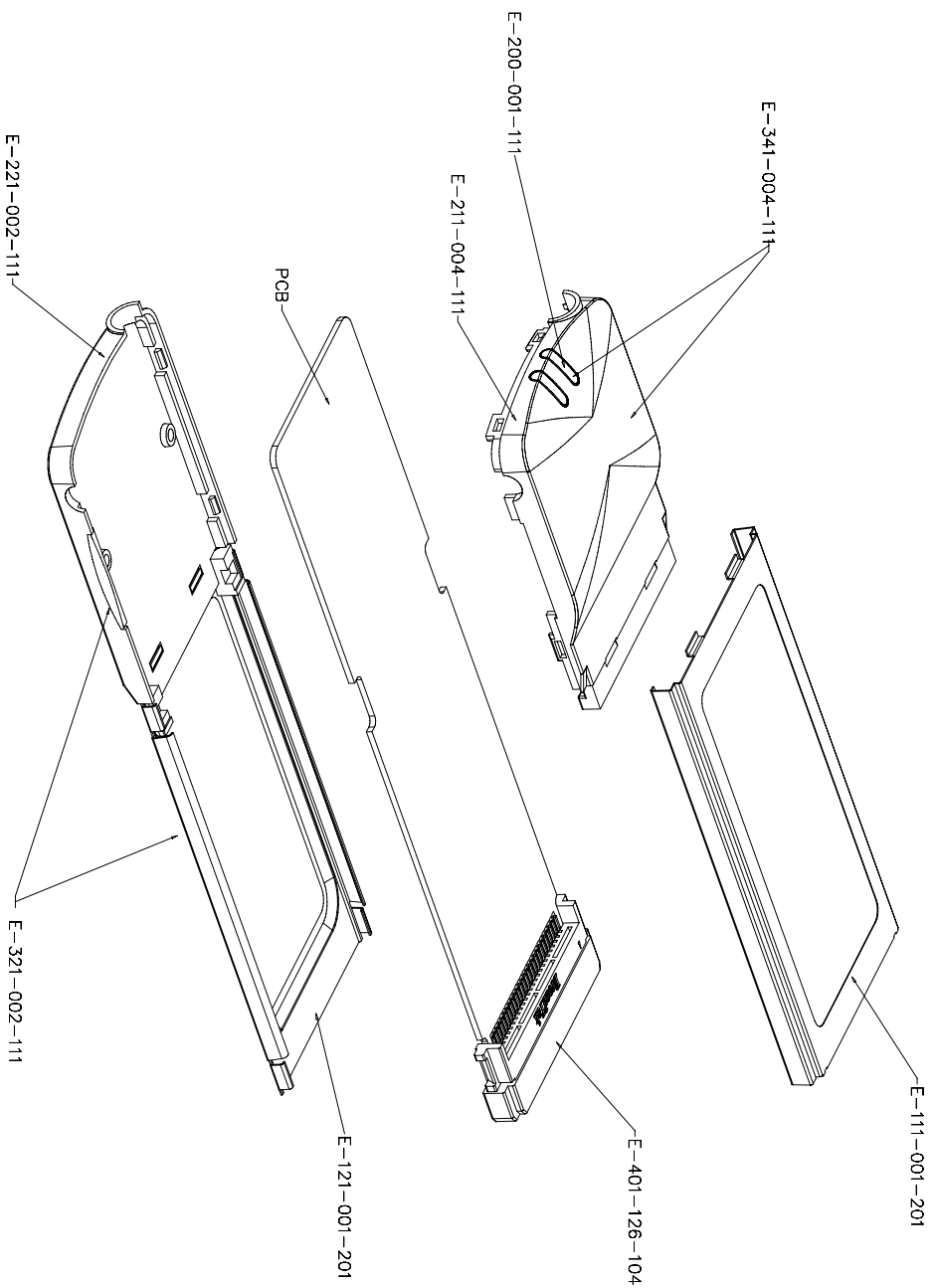
BroadTek No. : E-211-004-111

Date. : 2006,7,30

BroadTek Technology Co., Ltd.

Tel :886-2-29642625 Fax: 886-2-29642601

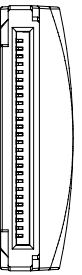
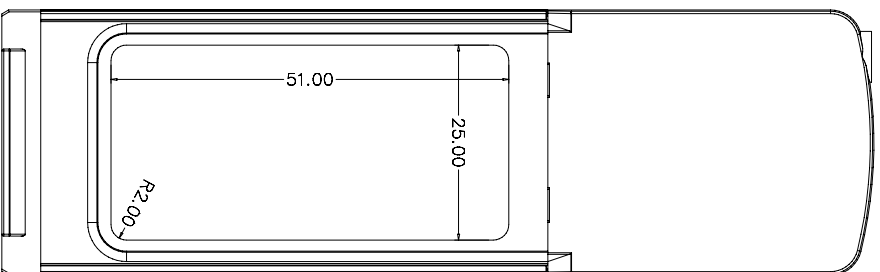
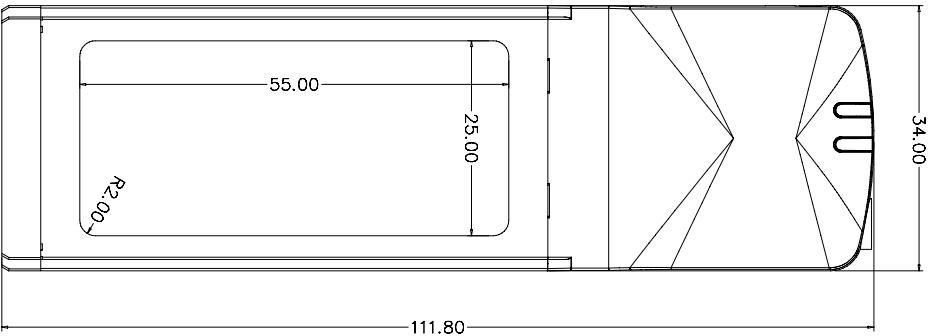
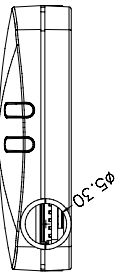
4F.,No.15,Lane 163,Sinyi Rd .,Banciao City,Taipei County 220,Taiwan



| | |
|----------------------------|-------|
| — Tolerances — | |
| Unless Otherwise Specified | |
| .0 | ±0.15 |
| .00 | ±0.10 |
| .000 | ±0.05 |
| ANGLES | ±1° |

| | |
|----------------|----------|
| Bradtek | |
| Approved: | Checked: |
| Engineer: | Drawn: |

| | |
|--------------------------------------|------------|
| Title : Exploding view for component | |
| Drawing NO. E-211-004-111-EXP | Part NO. |
| Unit: mm | Scale: 1:1 |
| Size: A4 | Rev: 01 |



— Tolerances —
Unless Otherwise Specified

| | |
|--------|-------|
| .0 | ±0.15 |
| .00 | ±0.10 |
| .000 | ±0.05 |
| ANGLES | ±1° |



Approved: _____
Checked: _____
Engineer: _____
Drawn: _____

Title : Assembly

| | | | |
|-------------------------------|------------|----------|----------------|
| Drawing NO. E-211-004-111-ALL | | Part NO. | |
| Unit: mm | Scale: 1:1 | Size: A4 | Rev. Sheet: 01 |