



## *Approval Sheet*



Customer : \_\_\_\_\_

Description : PC Card Into Wireless  
\_\_\_\_\_

Project No. : \_\_\_\_\_

Customer No. : \_\_\_\_\_

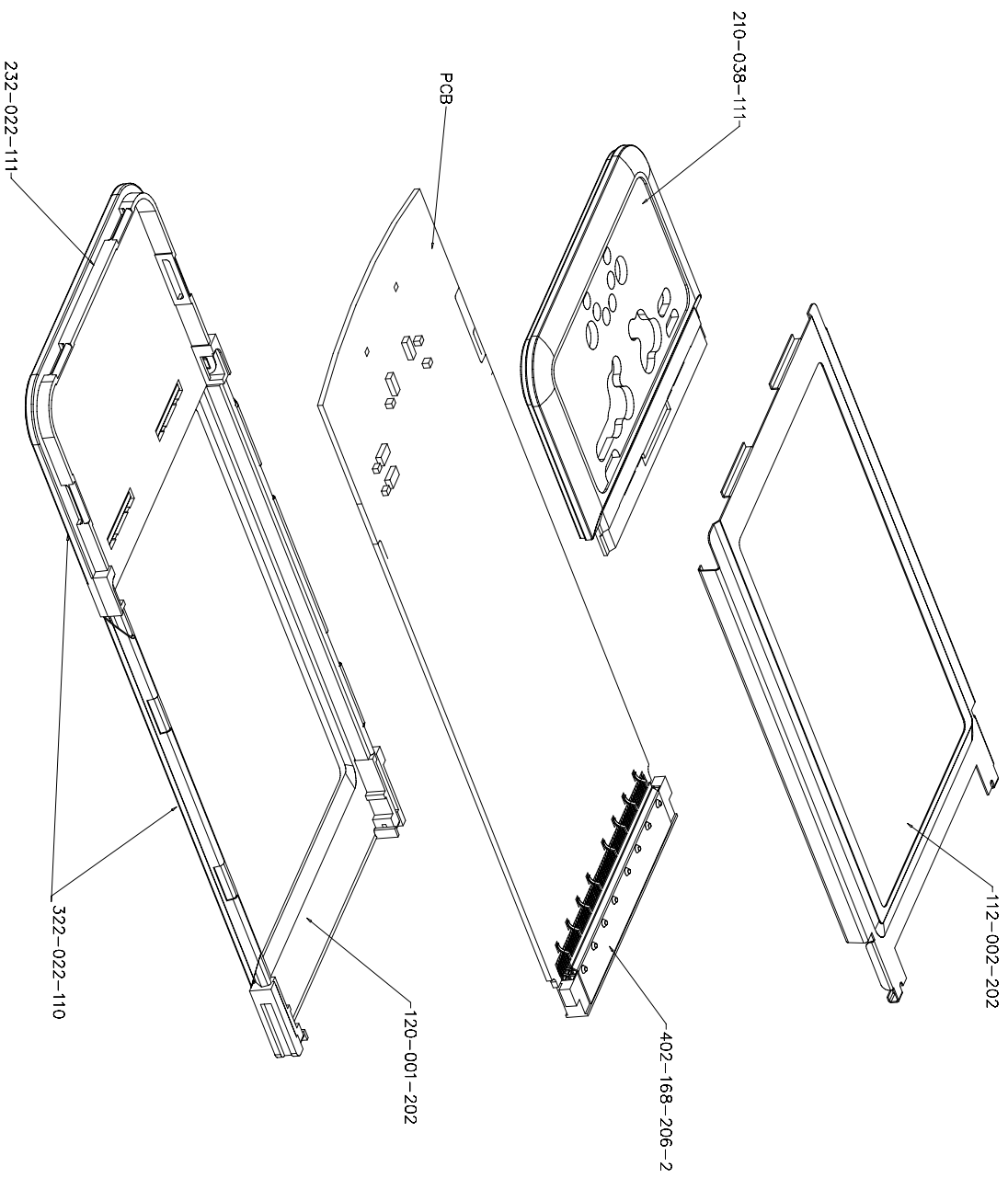
BroadTek No. : 210-038-111  
\_\_\_\_\_

Date. : 2007,7,30  
\_\_\_\_\_

***BroadTek Technology Co., Ltd.***

Tel :886-2-29642625 Fax: 886-2-29642601

4F.,No.15,Lane 163,Sinyi Rd .,Banciao City,Taipei County 220,Taiwan



— Tolerances —  
Unless Otherwise Specified

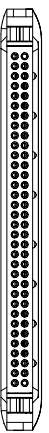
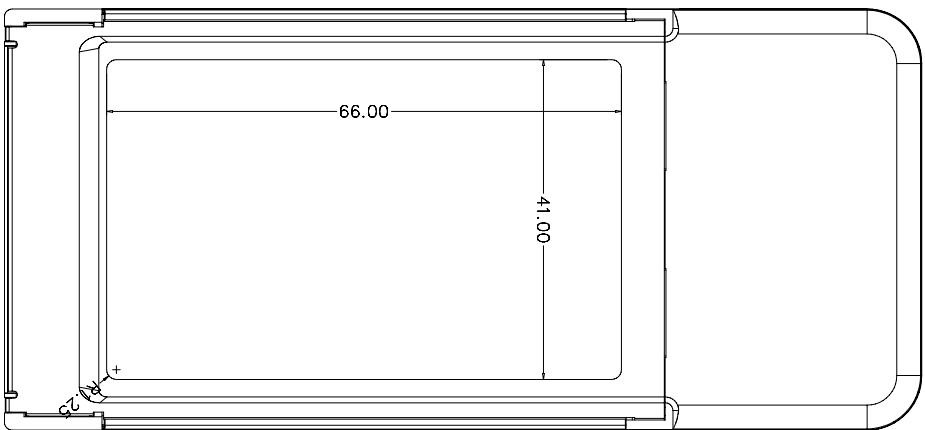
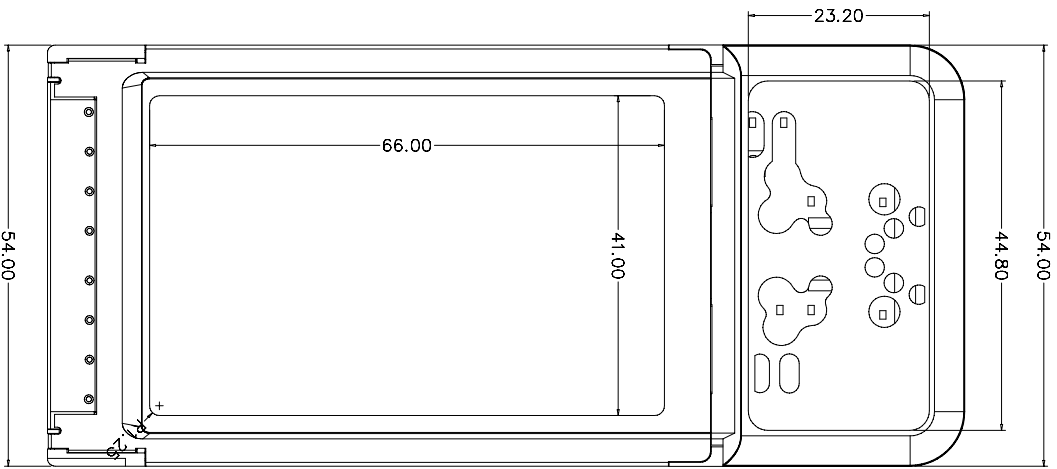
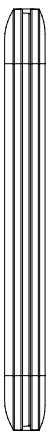
.0	±0.15
.00	±0.10
.000	±0.05
ANGLES	±1°



Approved: \_\_\_\_\_  
Checked: \_\_\_\_\_  
Engineer: \_\_\_\_\_  
Drawn: \_\_\_\_\_

Title :

Drawing NO. 210-038-111-EXP		Part NO.	
Unit: mm	Scale: 1:1	Size A4	Rev. Sheet 01



— Tolerances —  
Unless Otherwise Specified

.0	±0.15
.00	±0.10
.000	±0.05
ANGLES	±1°



Approved: \_\_\_\_\_  
Checked: \_\_\_\_\_  
Engineer: \_\_\_\_\_  
Drawn: \_\_\_\_\_

Title : Assembly

Drawing NO. 210-038-111-ALL Part NO.

Unit: mm	Scale: 1:1	Size: A4	Rev: 01	Sheet: _____
----------	------------	----------	---------	--------------