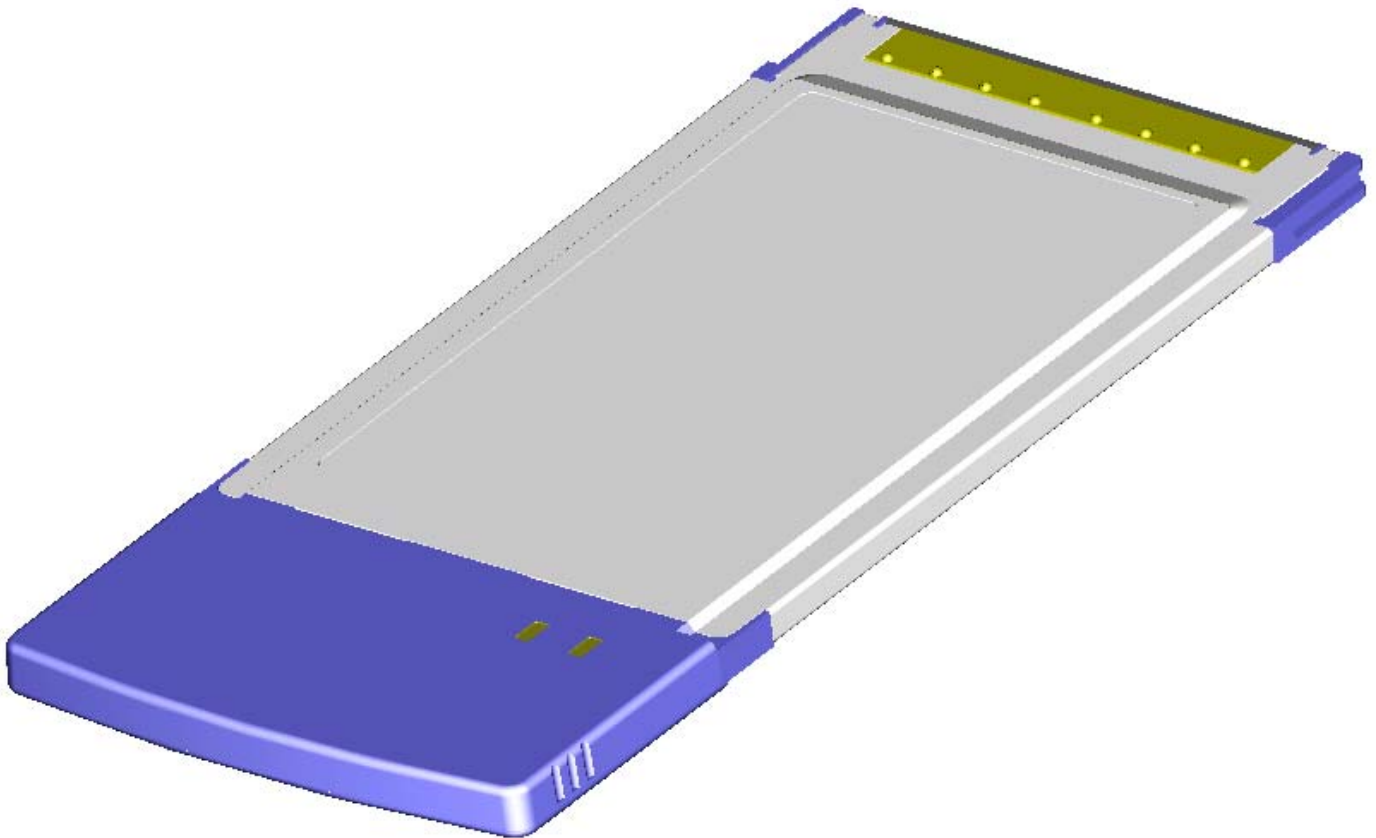




Approval Sheet



Customer : _____

Description : PC Card Into Wireless

Project No. : _____

Customer No. : _____

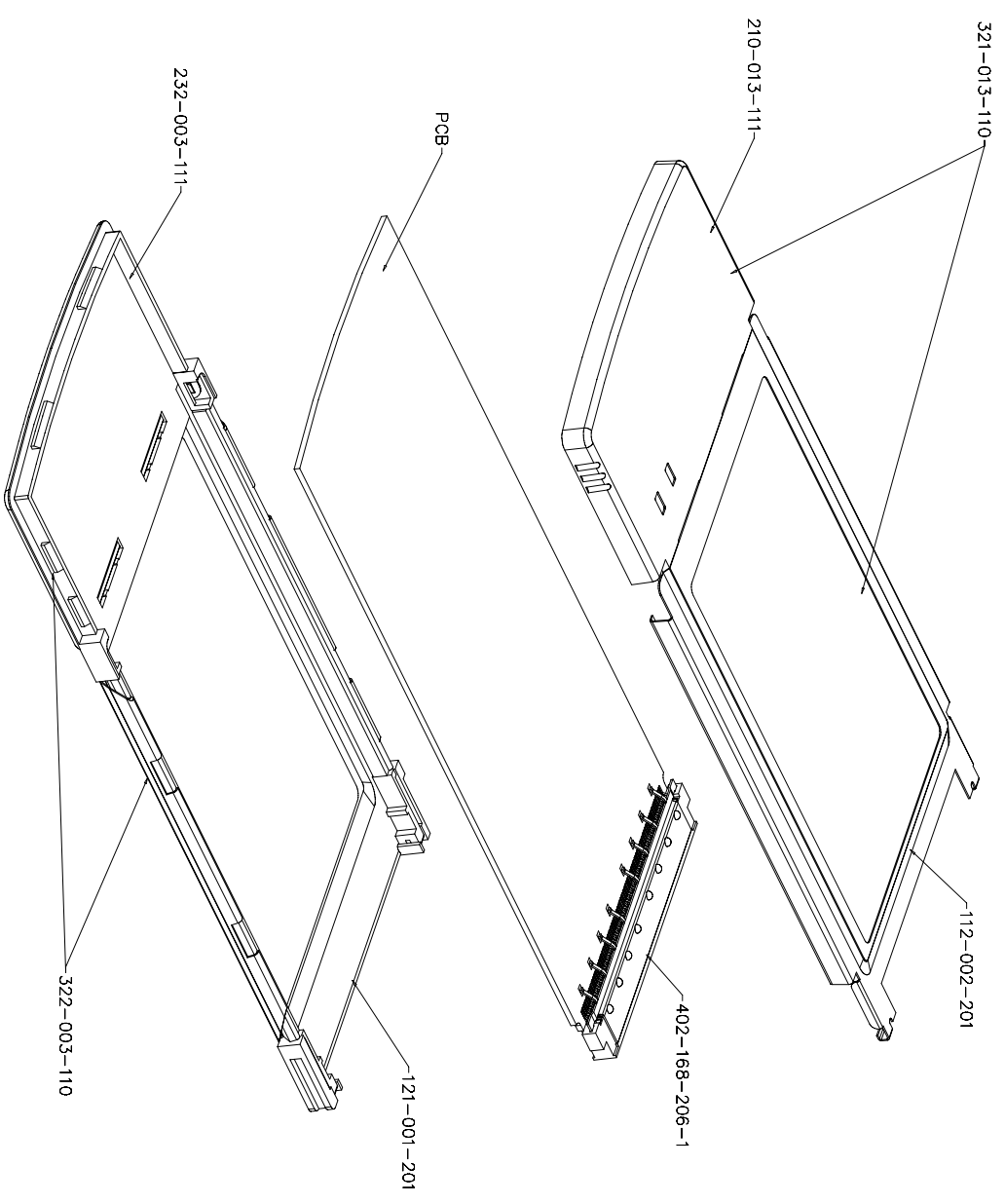
BroadTek No. : 210-013-111

Date. : 2007,3,30

BroadTek Technology Co., Ltd.

Tel :886-2-29642625 Fax: 886-2-29642601

4F.,No.15,Lane 163,Sinyi Rd .,Banciao City,Taipei County 220,Taiwan



— Tolerances —
Unless Otherwise Specified

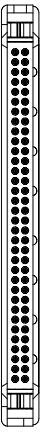
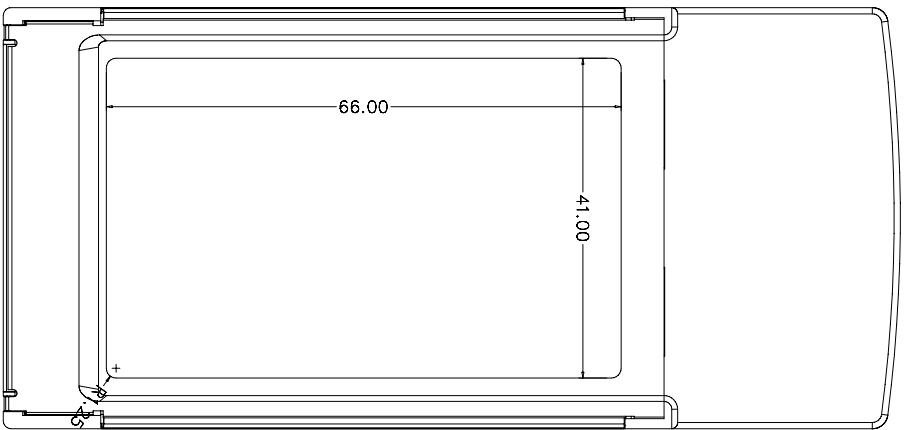
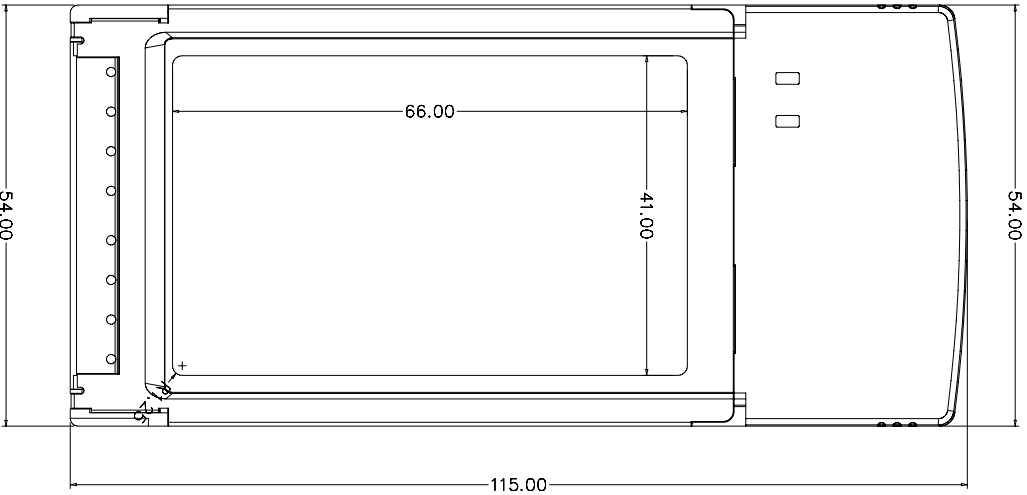
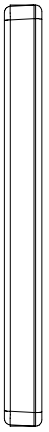
.0	±0.15
.00	±0.10
.000	±0.05
ANGLES	±1°



Approved:	Checked:
Engineer:	Drawn:

Title : Exploding view for component

Drawing NO.	Part NO.
Unit: mm	Scale: 1:1
Size: A4	Rev: 01



— Tolerances —
Unless Otherwise Specified

.0	±0.15
.00	±0.10
.000	±0.05
ANGLES	±1°



Approved:

Checked:

Engineer:

Drawn:

Title : Assembly

Drawing NO.

Part NO.

210-013-111-ALL

Unit:

Scale:



Size Rev. Sheet

mm

1:1



A4 01