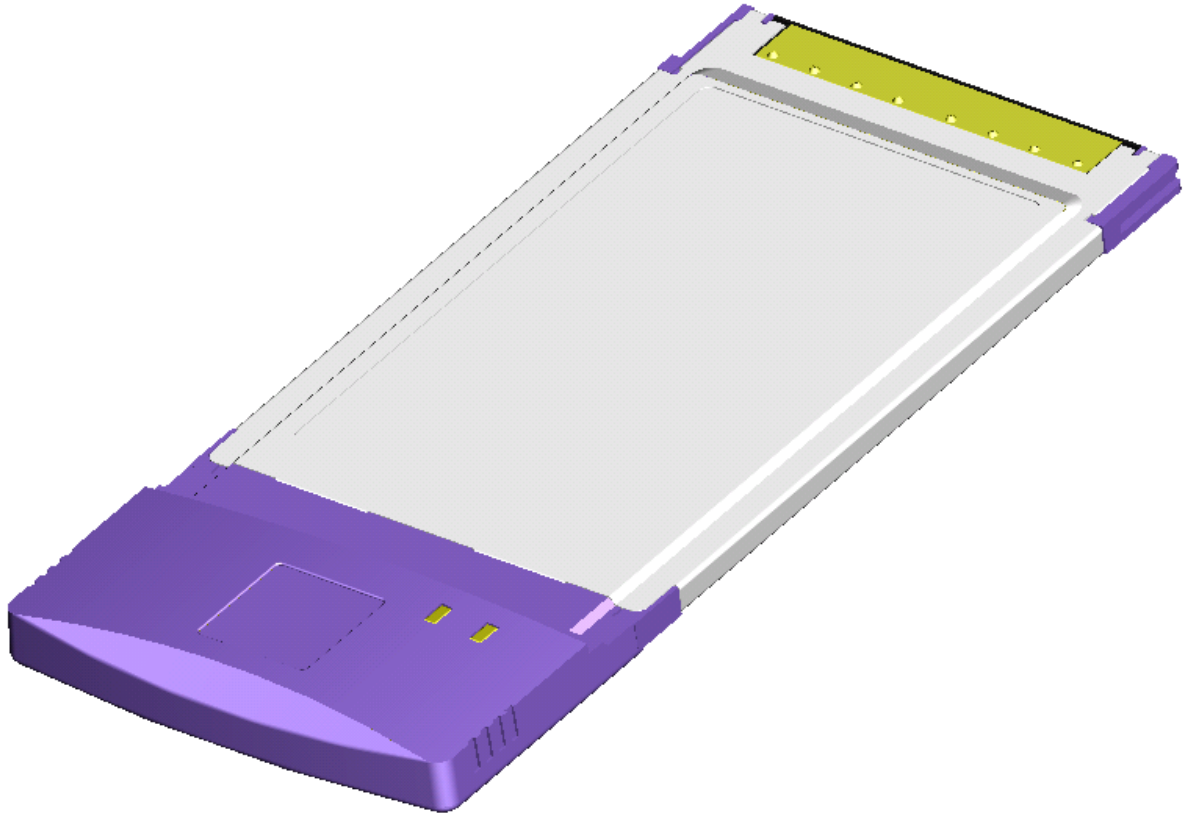




## *Approval Sheet*



Customer : \_\_\_\_\_

Description : PC Card Into Wireless

Project No. : \_\_\_\_\_

Customer No. : \_\_\_\_\_

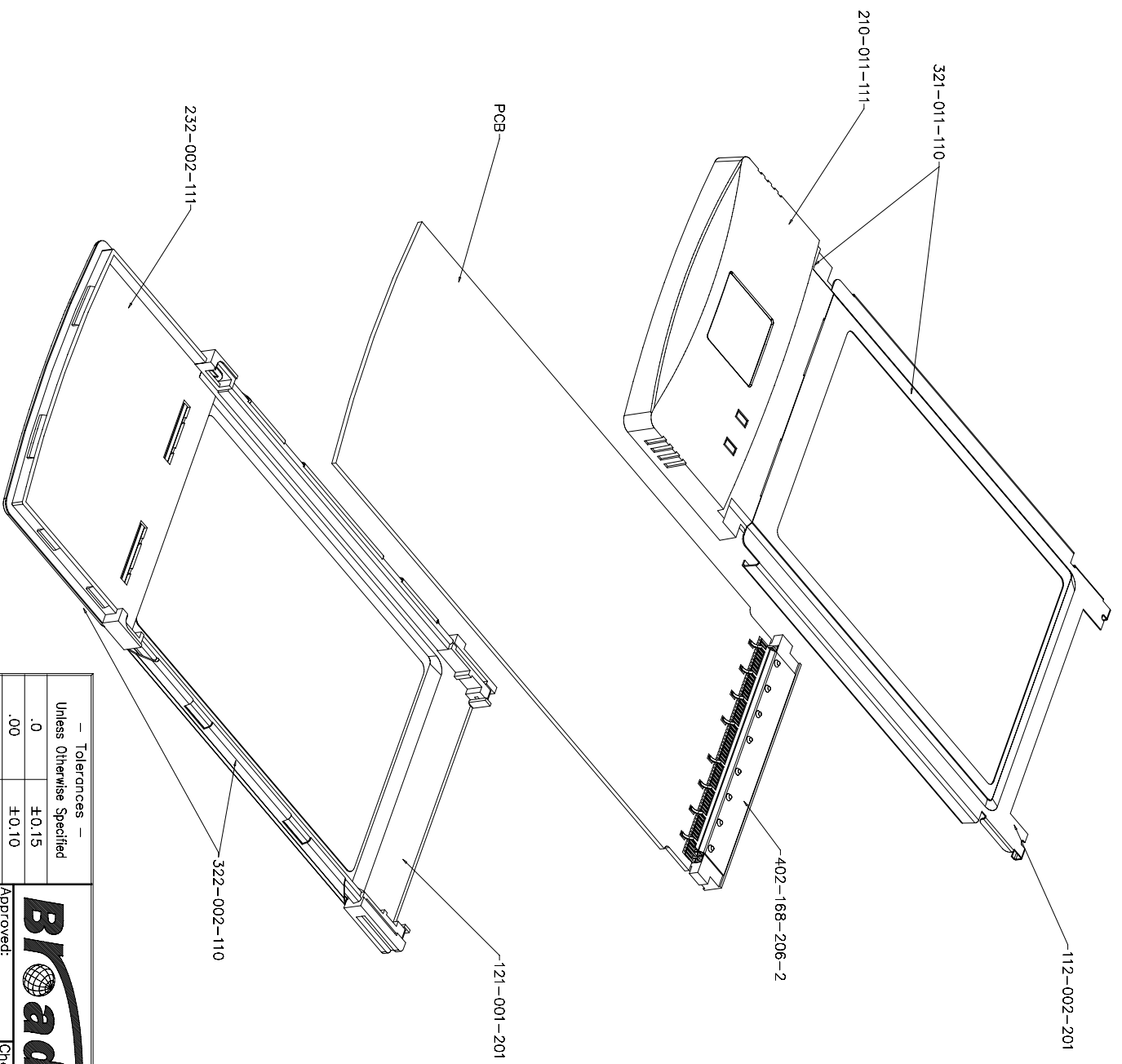
BroadTek No. : 210-011-111

Date. : 2004,5,30

***BroadTek Technology Co., Ltd.***

Tel :886-2-29642625 Fax: 886-2-29642601

4F.,No.15,Lane 163,Sinyi Rd .,Banciao City,Taipei County 220,Taiwan



— Tolerances —  
Unless Otherwise Specified

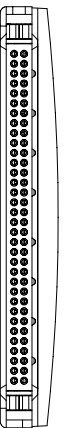
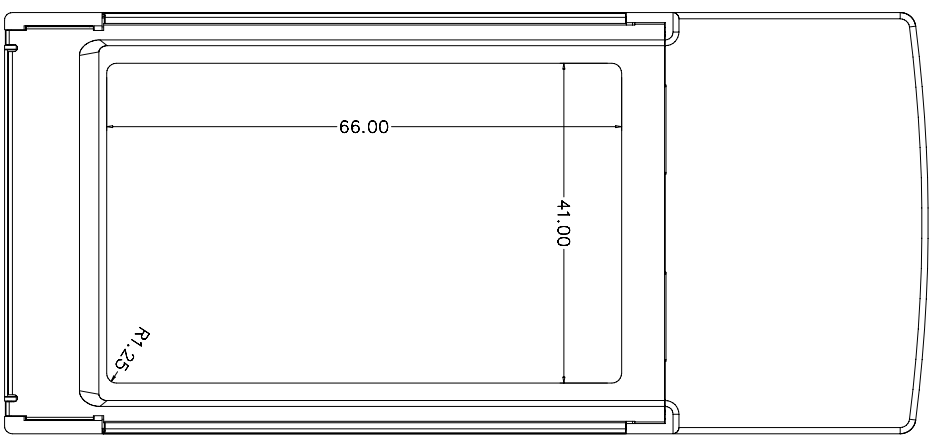
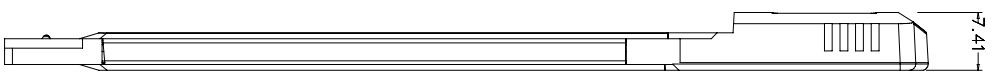
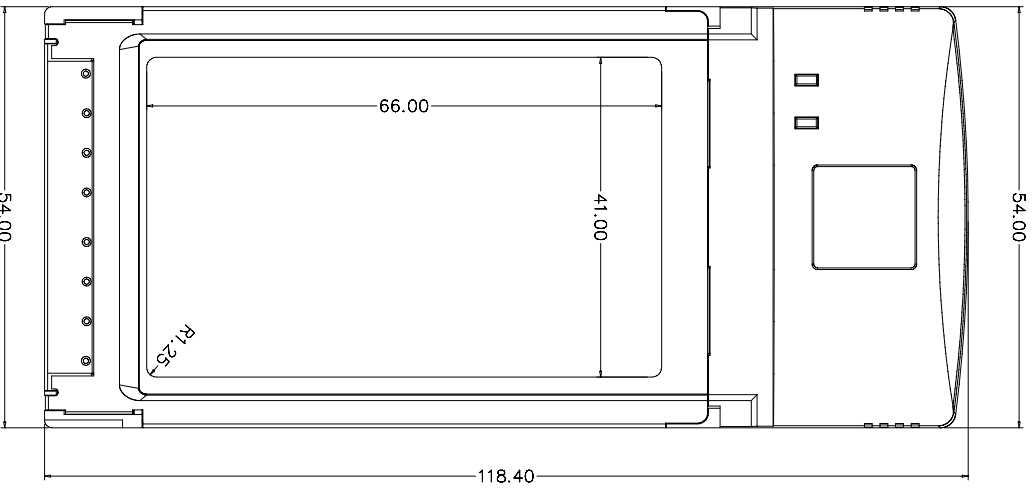
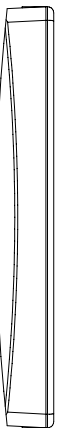
.0	±0.15
.00	±0.10
.000	±0.05
ANGLES	±1°



Approved: \_\_\_\_\_  
Engineer: \_\_\_\_\_  
Checked: \_\_\_\_\_  
Drawn: \_\_\_\_\_

Title : Exploding view for component

Drawing NO. 210-011-111-EXP Part NO. \_\_\_\_\_  
Unit: mm Scale: 1:1 Size Rev. Sheet  
mm 1:1 A4 01



— Tolerances —  
Unless Otherwise Specified

.0	±0.15
.00	±0.10
.000	±0.05
ANGLES	±1°



Approved: \_\_\_\_\_  
Engineer: \_\_\_\_\_  
Checked: \_\_\_\_\_  
Drawn: \_\_\_\_\_

Title : Assembly

Drawing NO. 210-011-111-ALL  
Part NO. \_\_\_\_\_  
Unit: mm  
Scale: 1:1  
Size Rev. Sheet  
A4 01