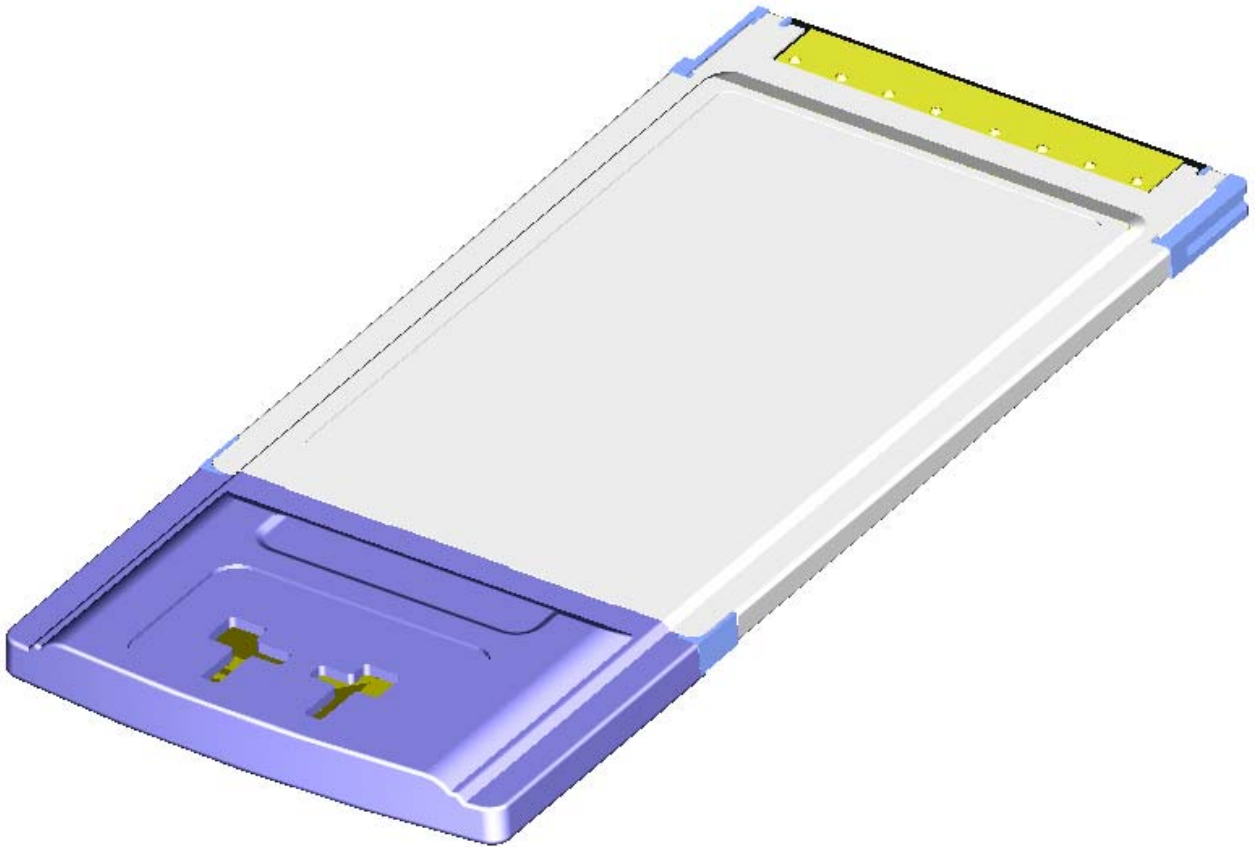




Approval Sheet



Customer : _____

Description : PC Card Into Wireless

Project No. : _____

Customer No. : _____

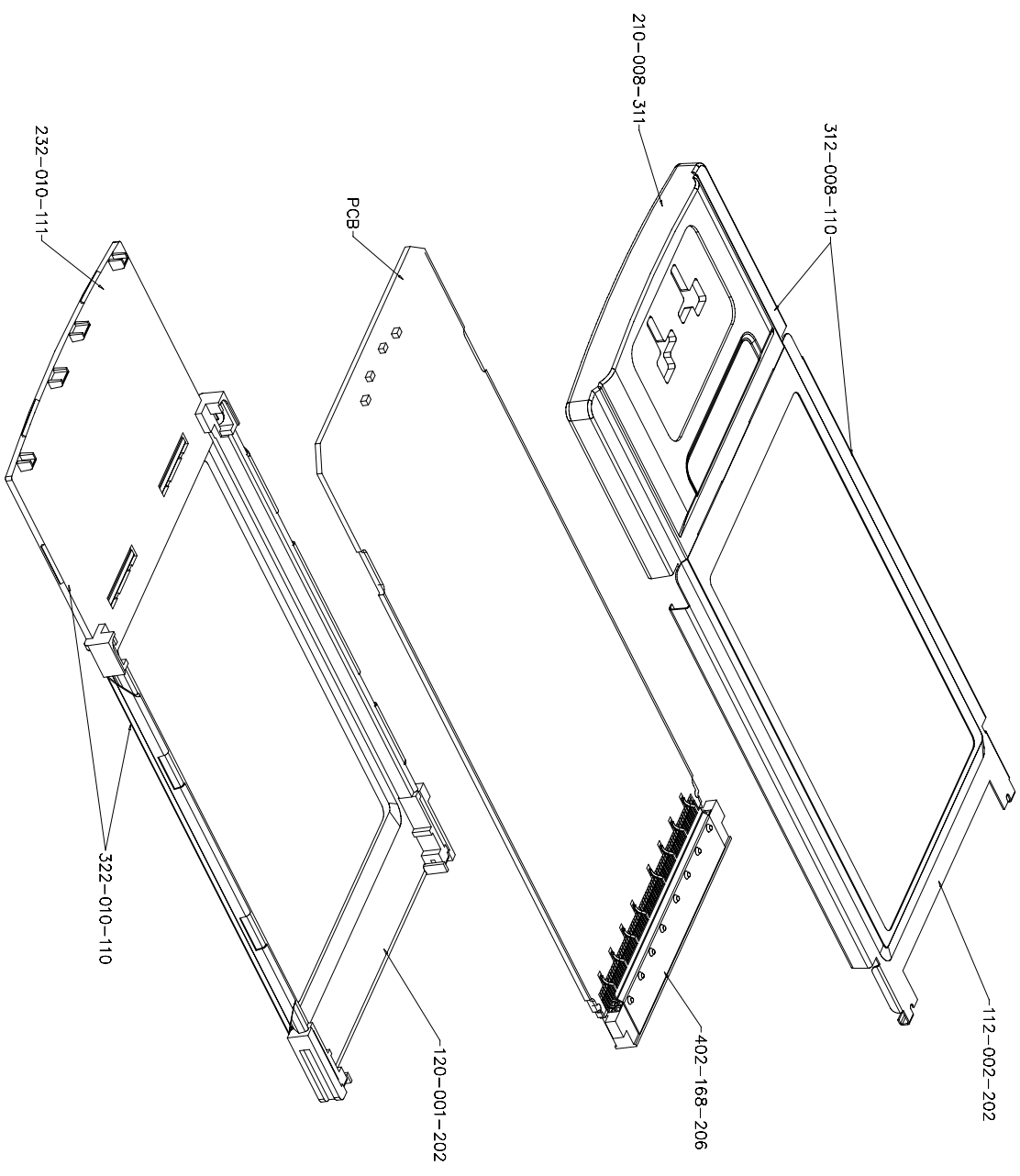
BroadTek No. : 210-008-311

Date. : 2005,10,30

BroadTek Technology Co., Ltd.

Tel :886-2-29642625 Fax: 886-2-29642601

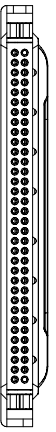
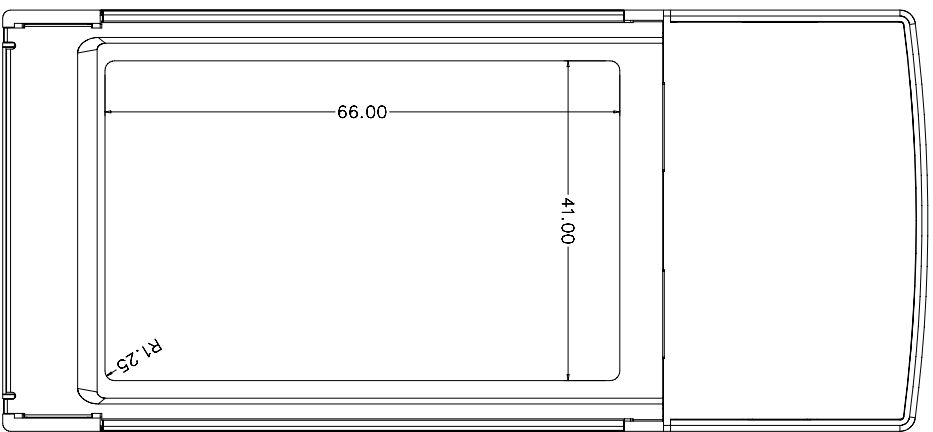
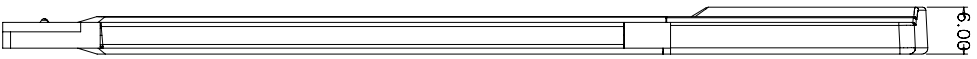
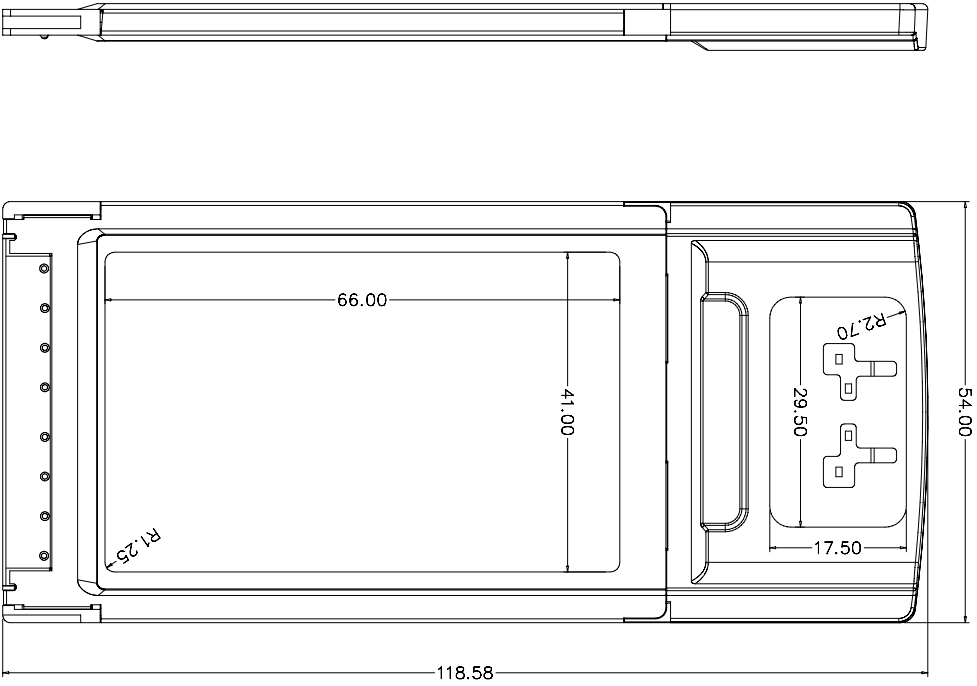
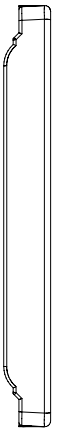
4F.,No.15,Lane 163,Sinyi Rd .,Banciao City,Taipei County 220,Taiwan



— Tolerances —	
Unless Otherwise Specified	
.0	±0.15
.00	±0.10
.000	±0.05
ANGLES	±1°

		Approved:
Engineer:	Drawn:	

Title : Exploding view for component			
Drawing NO. 210-008-311-EXP		Part NO.	
Unit: mm	Scale: 1:1	Size A4	Rev. Sheet 01



— Tolerances —
Unless Otherwise Specified

.0	±0.15
.00	±0.10
.000	±0.05
ANGLES	±1°



Approved:

Checked:

Engineer:

Drawn:

Title :

Assembly

Drawing NO.

210-008-311-ALL

Part NO.

Unit:

mm

Scale:

1:1



Size Rev. Sheet
A4 01