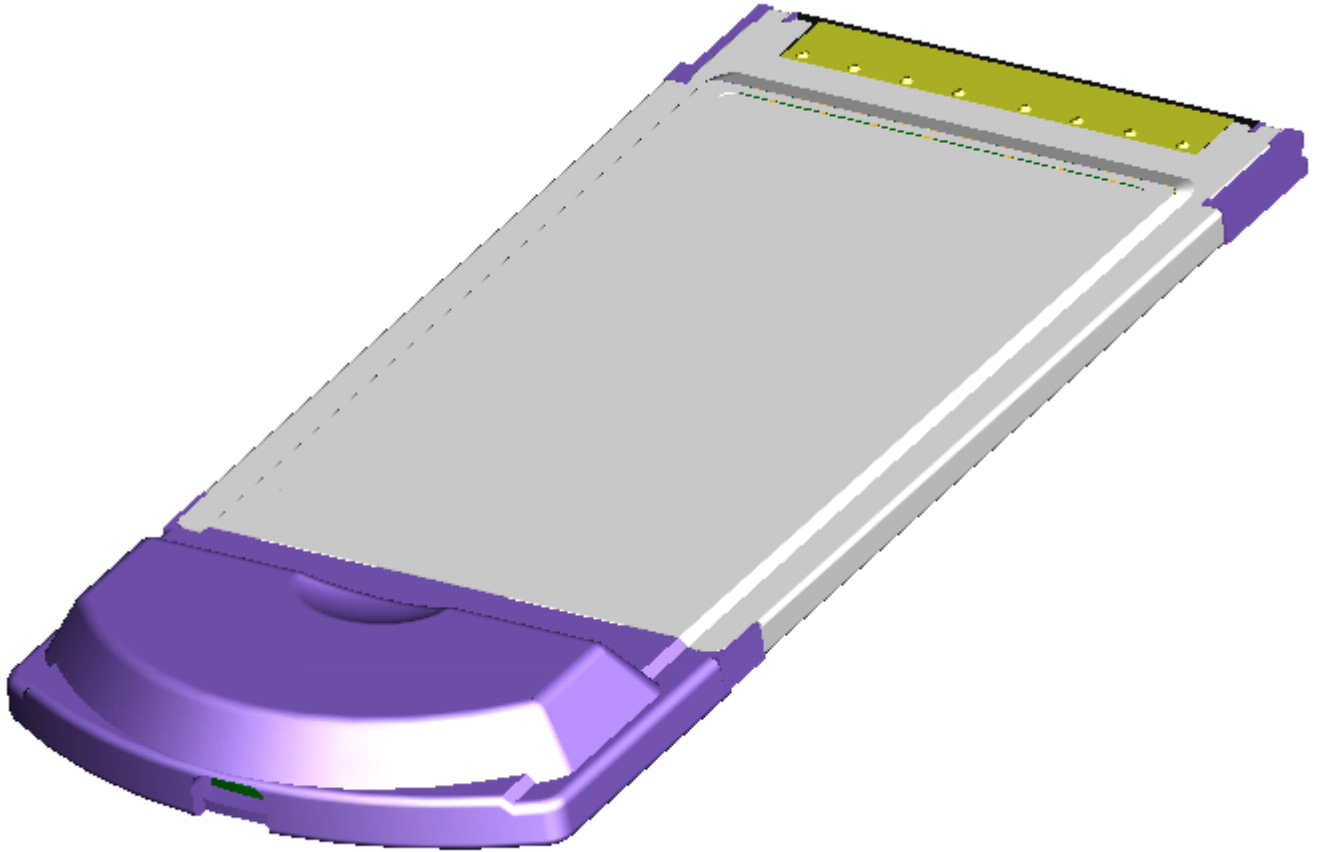




## *Approval Sheet*



Customer : \_\_\_\_\_

Description : PC Card Into Wireless  
\_\_\_\_\_

Project No. : \_\_\_\_\_

Customer No. : \_\_\_\_\_

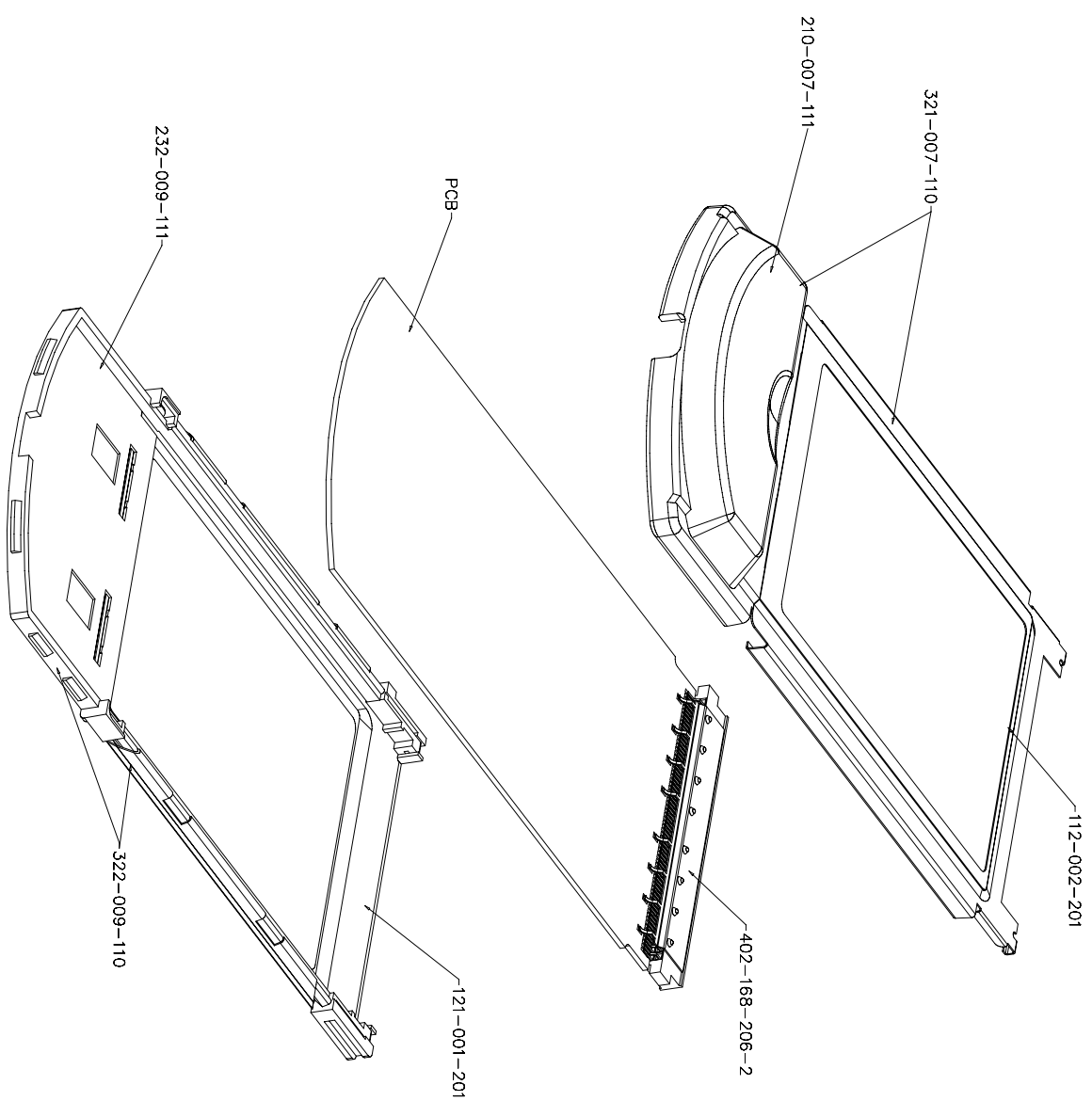
BroadTek No. : 210-007-111  
\_\_\_\_\_

Date. : 2003,10,30  
\_\_\_\_\_

**BroadTek Technology Co., Ltd.**

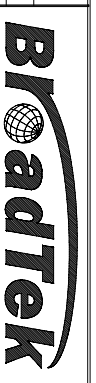
Tel :886-2-29642625 Fax: 886-2-29642601

4F.,No.15,Lane 163,Sinyi Rd .,Banciao City,Taipei County 220,Taiwan



— Tolerances —  
 Unless Otherwise Specified

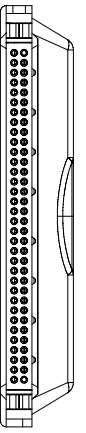
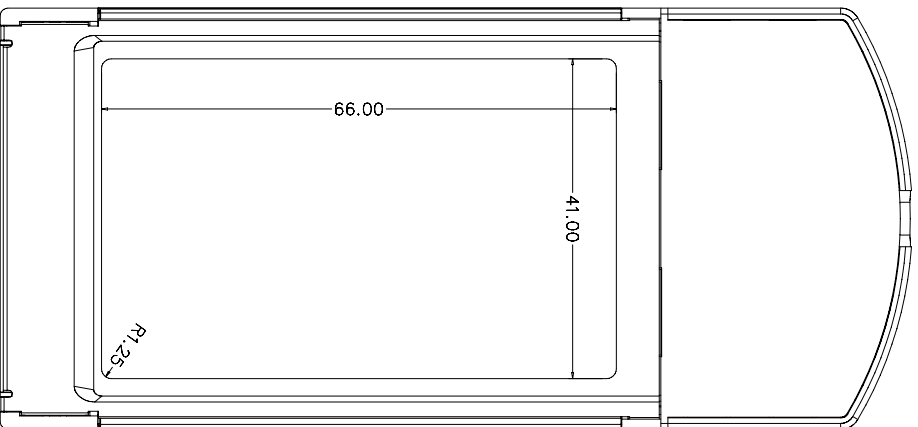
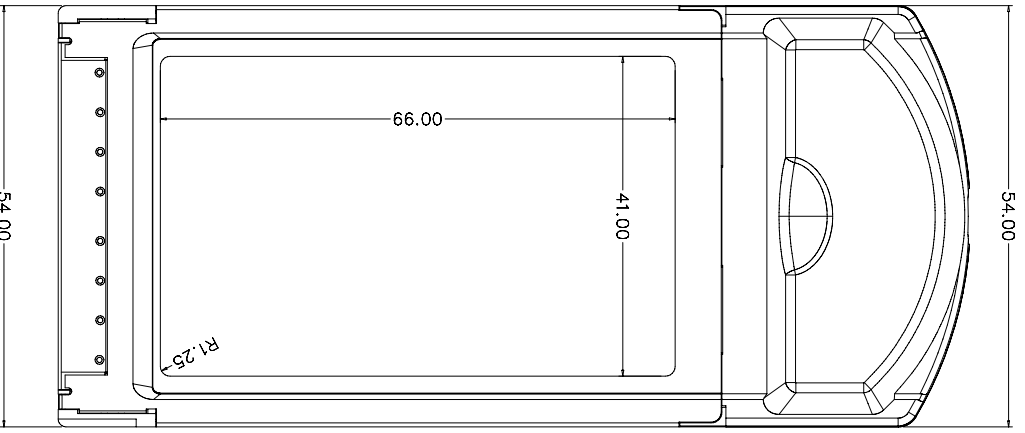
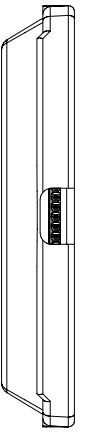
.0	±0.15
.00	±0.10
.000	±0.05
ANGLES	±1°



Approved: \_\_\_\_\_  
 Engineer: \_\_\_\_\_  
 Checked: \_\_\_\_\_  
 Drawn: \_\_\_\_\_

Title : Exploding view for component

Drawing NO. 210-007-111-EXP  
 Part NO. \_\_\_\_\_  
 Unit: mm  
 Scale: 1:1  
 Size Rev. Sheet  
 A4 01



— Tolerances —  
Unless Otherwise Specified

.0	±0.15
.00	±0.10
.000	±0.05
ANGLES	±1°



Approved:

Checked:

Engineer:

Drawn:

Title : Assembly

Drawing NO.

210-007-111-ALL

Part NO.

Unit:

mm

Scale:

1:1



Size

A4

Rev. Sheet

01