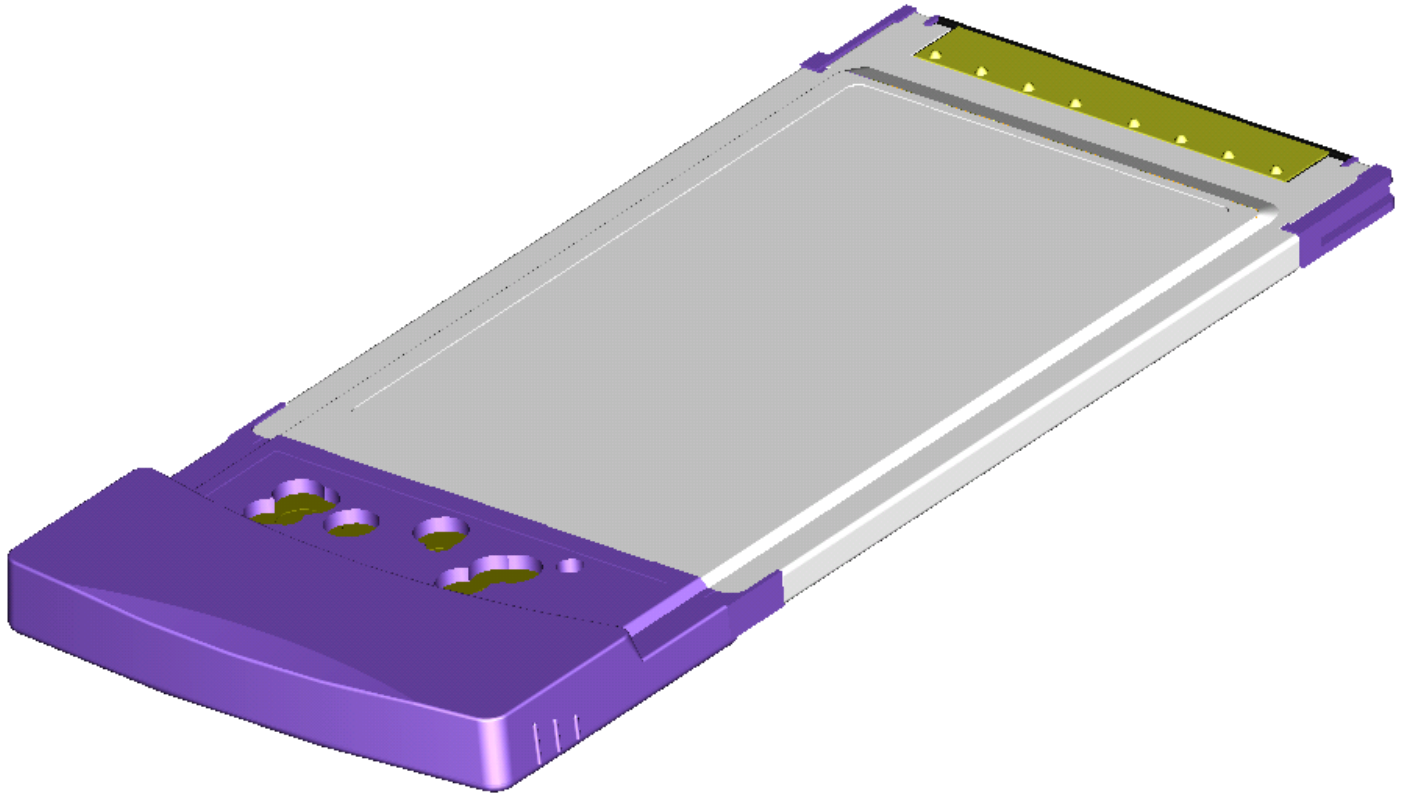




Approval Sheet



Customer : _____

Description : PC Card Into Wireless

Project No. : _____

Customer No. : _____

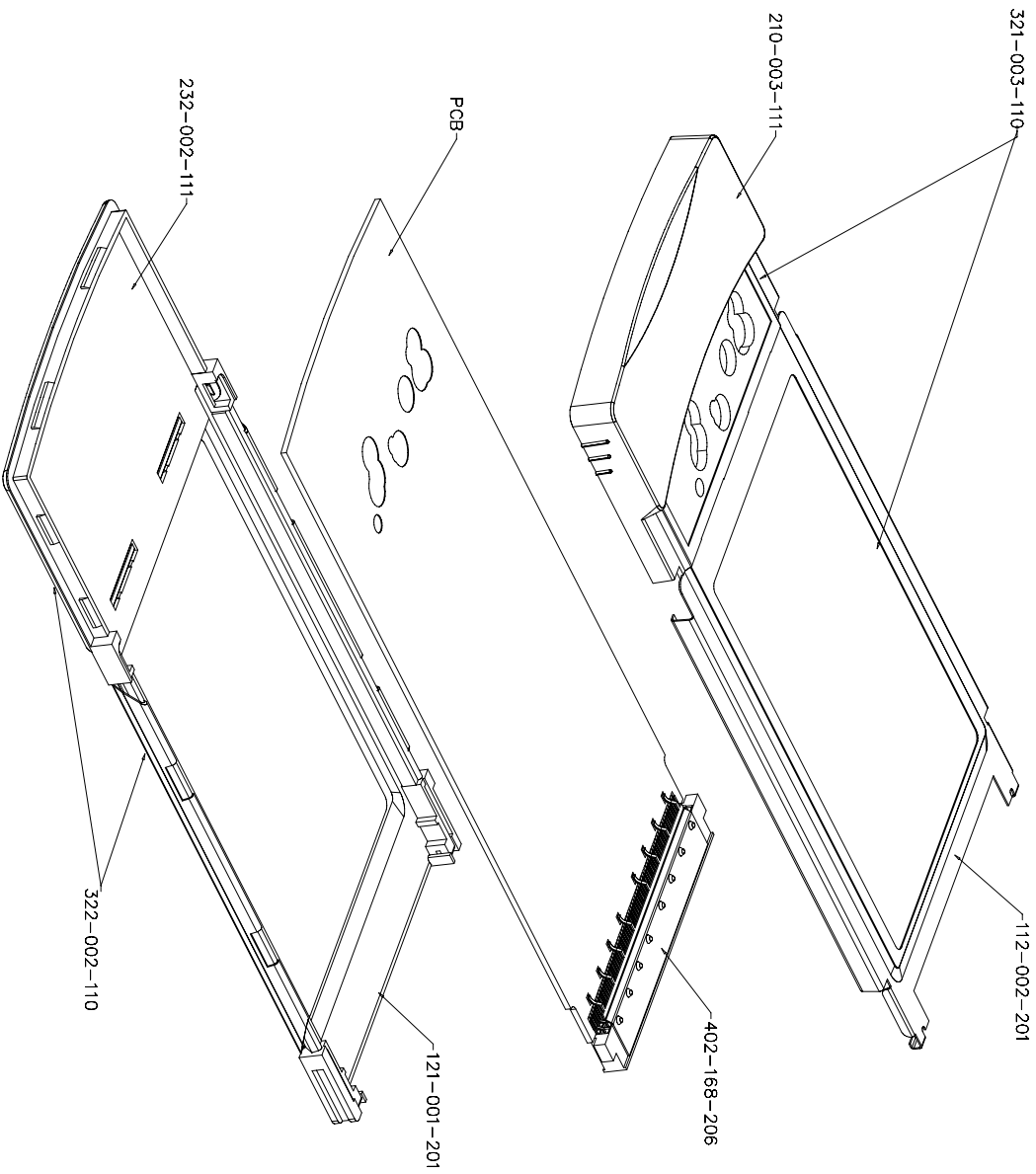
BroadTek No. : 210-003-111

Date. : 2005,10,30

BroadTek Technology Co., Ltd.

Tel :886-2-29642625 Fax: 886-2-29642601

4F.,No.15,Lane 163,Sinyi Rd .,Banciao City,Taipei County 220,Taiwan



Title : Exploding view for component

Drawing NO. 210-003-111-EXP Part NO.

Unit:	Scale:	Size	Rev.	Sheet
mm	1:1	A4	01	

Bradtek

Approved: _____

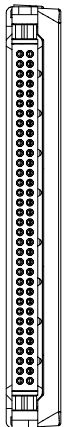
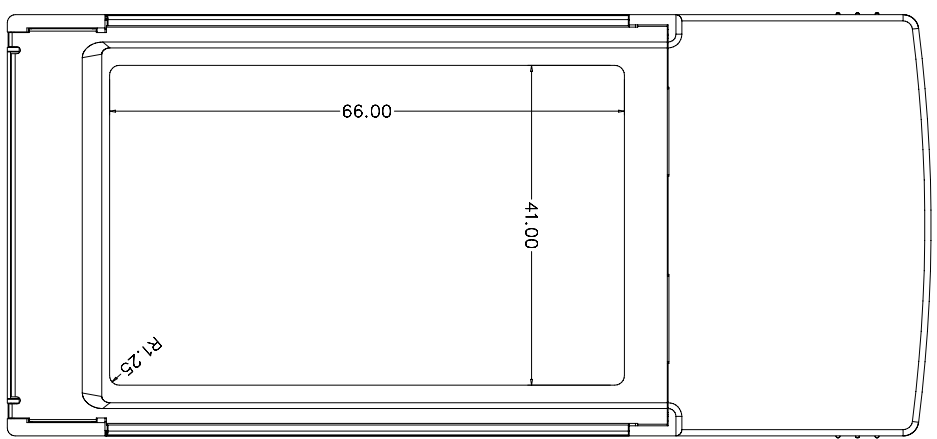
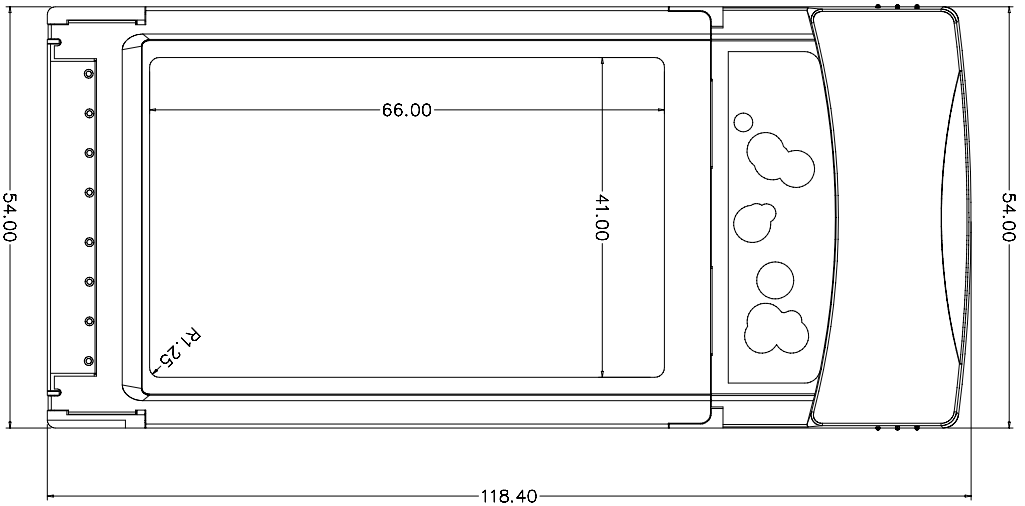
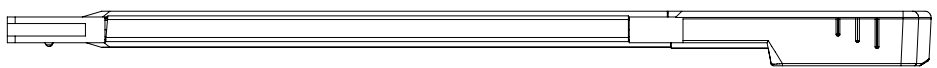
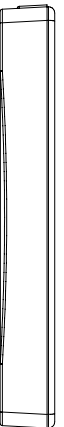
Checked: _____

Engineer: _____

Drawn: _____

— Tolerances —
Unless Otherwise Specified

.0	±0.15
.00	±0.10
.000	±0.05
ANGLES	±1°



— Tolerances —
Unless Otherwise Specified

.0	±0.15
.00	±0.10
.000	±0.05
ANGLES	±1°



Approved: _____
Checked: _____
Engineer: _____
Drawn: _____

Title : Assembly

Drawing NO. 210-003-111-ALL
Part NO. _____
Unit: mm
Scale: 1:1
Size: A4
Rev. Sheet: 01